

Extensions with M12x1 connector

For CFSQ, CFSW and EBR-SW

STANDARD EXECUTIONS

Polyamide based (PA) technopolymer connector with housing and contact holder, nickel-plated brass nut.

- **FC-M12x1-P4**: 4 pole M12x1 female axial connector. Cable with sheath in PVC CEI 2022, black colour.
- **FC-M12x1-P8**: 8 pole M12x1 female axial connector. Cable with sheath in PVC, black colour, UL/CSA STYLE type.

COMPATIBILITÀ

Electromechanical products with 4 and 8 pole male connector output.

- Hinges with built-in safety switch CFSQ (see page 964).
- Hinges with built-in safety multiple switch CFSW (see page 968).
- Handle with built-in microswitch EBR-SW (see page 298).

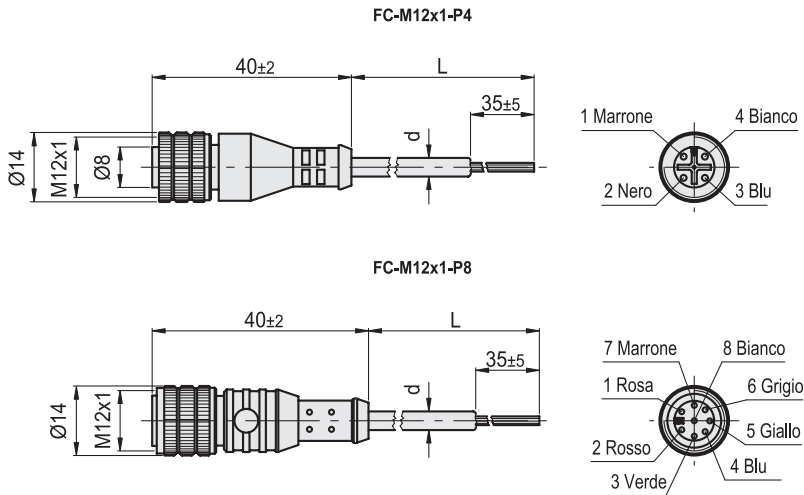
SPECIAL EXECUTIONS ON REQUEST

Extensions with cables in different lengths.



Connector	FC-M12x1-P4	FC-M-12x1-P8
Conductors cross-section	4x0.34mm ²	8x0.33mm ²
Maximum applicable voltage	250V	30V
Maximum current	4A	2A
Isolation resistance	≥100Ω 500VDC	≥100Ω 500VDC
Working temperature	-25°C, +70°C	-15°C, +70°C
Protection class	IP69K *	IP67 *

* With the connector properly screwed



Code	Description	L	d	⚖️
426502	FC-M12x1-P4-2.5	2500	5	210
426505	FC-M12x1-P4-5.0	5000	5	300
426510	FC-M12x1-P4-10.0	10000	5	400
426503	FC-M12x1-P8-2.5	2500	7.2	210
426506	FC-M12x1-P8-5.0	5000	7.2	300
426511	FC-M12x1-P8-10.0	10000	7.2	400

