

Retained fluted knobs

for screwing with a screwdriver, technopolymer

MATERIAL

Polyamide based (PA) technopolymer, black colour, matte finish.

STANDARD EXECUTIONS

- **BT-HP-AV-p**: polished zinc-plated steel threaded stud, chamfered flat end UNI EN ISO 4753 : 2012 (see Technical data).
- **BT-HP-AV-SST-p**: AISI 304 stainless steel threaded stud, chamfered flat end UNI EN ISO 4753 : 2012 (see Technical data).

FEATURES AND APPLICATIONS

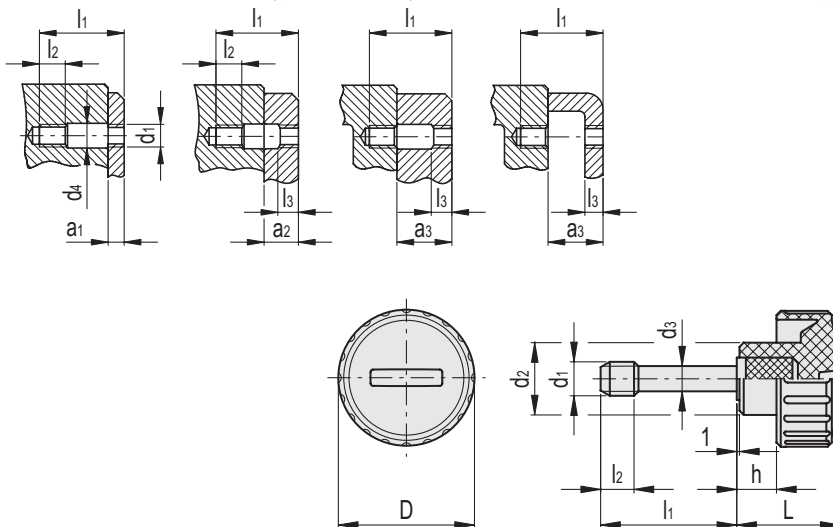
The retained fluted knobs are used to secure blanking plates, covers, or other items without the risk of loss.

This is made possible by the non-threaded part of the stem, which allows the knob to remain anchored (retained) to the machinery.



ELESA Original design

Types of assembly



BT-HP-AV-p

Code	Description	D	L	d1	d2	d3 ±0.1	d4	l1	l2	l3	h	a1	a2	a3	⚖
5301	BT-HP.12-AV-p-M4x14	12	13	M4	9.5	3.1	4.5	14	5	2	4	3 ÷ 5	6 ÷ 10	9 ÷ 15	4
5306	BT-HP.12-AV-p-M4x20	12	13	M4	9.5	3.1	4.5	20	5	2	4	3 ÷ 5	6 ÷ 10	9 ÷ 15	6
5311	BT-HP.16-AV-p-M4x14	16	14	M4	11	3.1	4.5	14	5	2	5	3 ÷ 5	6 ÷ 10	9 ÷ 15	5
5316	BT-HP.16-AV-p-M4x20	16	14	M4	11	3.1	4.5	20	5	2	5	3 ÷ 5	6 ÷ 10	9 ÷ 15	7
5321	BT-HP.16-AV-p-M5x18	16	14	M5	11	4	5.5	18	6	2.5	5	4 ÷ 6	8 ÷ 12	12 ÷ 18	7
5326	BT-HP.16-AV-p-M5x24	16	14	M5	11	4	5.5	24	6	2.5	5	4 ÷ 6	8 ÷ 12	12 ÷ 18	8
5331	BT-HP.20-AV-p-M5x18	20	17	M5	11	4	5.5	18	6	2.5	6	4 ÷ 6	8 ÷ 12	12 ÷ 18	9
5336	BT-HP.20-AV-p-M5x24	20	17	M5	11	4	5.5	24	6	2.5	6	4 ÷ 6	8 ÷ 12	12 ÷ 18	10
5341	BT-HP.20-AV-p-M6x22	20	17	M6	11	4.7	6.5	22	8	3	6	5 ÷ 8	10 ÷ 16	15 ÷ 24	10
5346	BT-HP.20-AV-p-M6x32	20	17	M6	11	4.7	6.5	32	8	3	6	5 ÷ 8	10 ÷ 16	15 ÷ 24	12

BT-HP-AV-SST-p

Code	Description	D	L	d1	d2	d3 ±0.1	d4	l1	l2	l3	h	a1	a2	a3	⚖
105301	BT-HP.12-AV-SST-p-M4x14	12	13	M4	9.5	3.1	4.5	14	5	2	4	3 ÷ 5	6 ÷ 10	9 ÷ 15	4
105306	BT-HP.12-AV-SST-p-M4x20	12	13	M4	9.5	3.1	4.5	20	5	2	4	3 ÷ 5	6 ÷ 10	9 ÷ 15	6
105311	BT-HP.16-AV-SST-p-M4x14	16	14	M4	11	3.1	4.5	14	5	2	5	3 ÷ 5	6 ÷ 10	9 ÷ 15	5
105316	BT-HP.16-AV-SST-p-M4x20	16	14	M4	11	3.1	4.5	20	5	2	5	3 ÷ 5	6 ÷ 10	9 ÷ 15	7
105321	BT-HP.16-AV-SST-p-M5x18	16	14	M5	11	4	5.5	18	6	2.5	5	4 ÷ 6	8 ÷ 12	12 ÷ 18	7
105326	BT-HP.16-AV-SST-p-M5x24	16	14	M5	11	4	5.5	24	6	2.5	5	4 ÷ 6	8 ÷ 12	12 ÷ 18	8
105331	BT-HP.20-AV-SST-p-M5x18	20	17	M5	11	4	5.5	18	6	2.5	6	4 ÷ 6	8 ÷ 12	12 ÷ 18	9
105336	BT-HP.20-AV-SST-p-M5x24	20	17	M5	11	4	5.5	24	6	2.5	6	4 ÷ 6	8 ÷ 12	12 ÷ 18	10
105341	BT-HP.20-AV-SST-p-M6x22	20	17	M6	11	4.7	6.5	22	8	3	6	5 ÷ 8	10 ÷ 16	15 ÷ 24	10
105346	BT-HP.20-AV-SST-p-M6x32	20	17	M6	11	4.7	6.5	32	8	3	6	5 ÷ 8	10 ÷ 16	15 ÷ 24	12