

## Lever latches with key

### Safety lock, zinc alloy

#### LOCK

With opposing blades and double track key with internal profile.

#### STATOR

Glossy chrome-plated zinc alloy.

#### ROTOR

Chrome-plated zinc alloy with drill-proof hardened steel plate and stainless steel front plate.

#### NUT

M19x1 in brass.

#### SPRING WASHER

Zinc-plated steel.

#### CLOSING LEVER

Zinc-plated steel, thickness 2.5 mm.

#### SCREW

M5x5 zinc-plated steel.

#### TWO REVERSIBLE KEYS

Nickel-plated brass, removable in two positions at 180°.

#### ROTATION

180°.

#### STANDARD EXECUTIONS

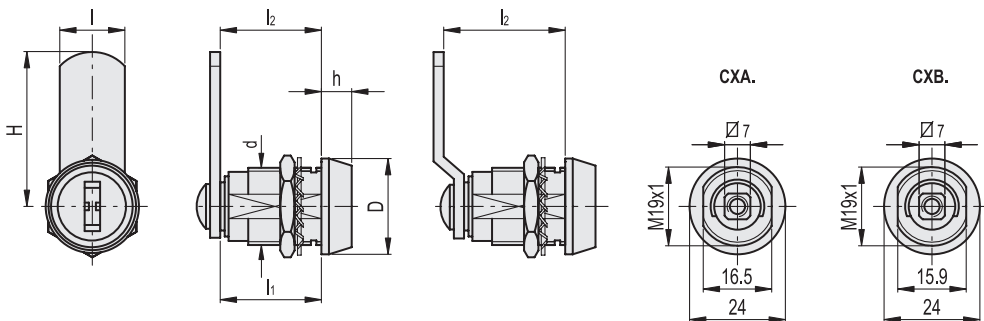
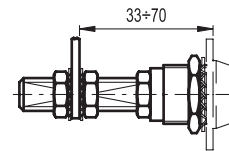
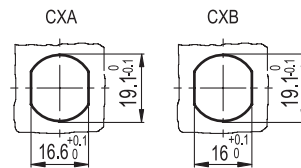
- **CXA./CXB:** lock with 15,660 different combinations: each lock has a couple of keys with different combination.
- **CXAU./CXBU:** lock with one combination: all locks have the same combination which can be opened with one key.

#### SPECIAL EXECUTIONS AND ACCESSORIES

- Closing levers in other dimensions.
- Brass threaded extension for prolonged positioning of the lever (code 421137 C.PQ M5/58).



Drilling templates



#### CX.

Code	Description	D	H	d	I	l1	l2	h	⚖
421611	CXA.32-23	24	32	M19x1	16	22.5	22.5	7	60
421615	CXA.36-28	24	35.5	M19x1	16	22.5	27.5	7	62
421619	CXB.32-23	24	32	M19x1	16	22.5	22.5	7	60
421623	CXB.36-28	24	35.5	M19x1	16	22.5	27.5	7	62

#### CXU.

Code	Description	D	H	d	I	l1	l2	h	⚖
421613	CXAU.32-23	24	32	M19x1	16	22.5	22.5	7	60
421617	CXAU.36-28	24	35.5	M19x1	16	22.5	27.5	7	62
421621	CXBU.32-23	24	32	M19x1	16	22.5	22.5	7	60
421625	CXBU.36-28	24	35.5	M19x1	16	22.5	27.5	7	62