

Handle with bistable electrical switch

Technopolymer

MATERIAL

Glass-fibre reinforced polyamide based (PA) technopolymer, grey-black colour, matte finish.

MICROSWITCH WITH BUTTON

The device is made up of a bistable normally open contact (NO). Switching takes place by pressing the purple button, and remains switched until pressed again.

Contact resistance: max. 0.050 Ω
Isolation resistance: min. 1 GΩ at 500 VDC

LED

A red Led and a green Led can be configured through external logic to indicate the switch status.
Voltage range 24 Vdc ± 15%

SCREW-COVERS

Technopolymer, grey-black colour, matte finish. Supplied assembled, removable by a screwdriver.

IP PROTECTION

IP 65 protection class, according to EN 60529 (see page -).

STANDARD EXECUTIONS

Pass-through holes for cylindrical-head screws with hexagon socket.

- **EBR-SWB-B-C**: zinc-plated connector with 8 poles, back output.
- **EBR-SWB-L-C**: zinc-plated steel connector with 8 poles, left side output.
- **EBR-SWB-R-C**: zinc-plated connector with 8 poles, right side output.

8 pole cable UL: AWG22 RAL9005 PVC UL AWM Style 1569/2517.

- **EBR-SWB-B-F2.5**: 8 pole cable, length 2.5 metres, back output.
- **EBR-SWB-B-F5**: 8 pole cable, length 5 metres, back output.
- **EBR-SWB-L-F2.5**: 8 pole cable, length 2.5 metres, left side output.
- **EBR-SWB-L-F5**: 8 pole cable, length 5 metres, left side output.
- **EBR-SWB-R-F2.5**: 8 pole cable, length 2.5 metres, right side output.
- **EBR-SWB-R-F5**: 8 pole cable, length 5 metres, right side output.

FEATURES AND APPLICATIONS

This handle is used when it is necessary for the switching to be prolonged over time.

Through external logic, the Leds can be configured to indicate the specific status of the button. Example: button in neutral position green Led on, button switched on red Led off.

The mechanical life of the button is 200000 cycles.

In case of use of an extension with angled connector, the direction of the cable output is shown in the Fig.1.

EBR-SWB handle can be assembled with EBR neutral handle.

ACCESSORIES ON REQUEST

FC-M12x1 (see page -): extensions with 8 pole M12 female axial connector.

OTHER STANDARD EXECUTIONS

- EBR. (see page -): single complementary handle without switch.
- EBR-SWM (see page -): handle with monostable electrical switch.

Electrical Features			
Load	Voltage	Current	Max Cycles
Resistive	12 Vdc	4 A	200000
Resistive	48 Vdc	1 A	200000
Resistive	48 Vdc	2 A	100000
Resistive	48 Vdc	3 A	75000
Logic level	5 Vdc	10 mA	200000
DWV	1000 Vrms	-	-



ERGOSTYLE® ELESA Original design

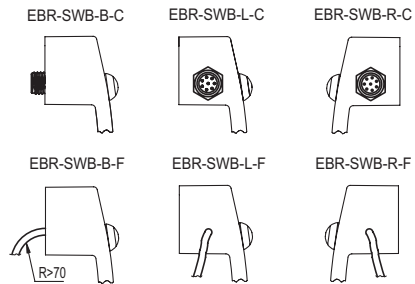
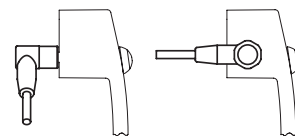
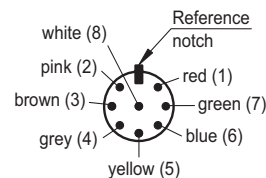


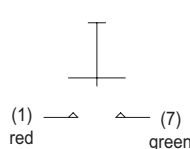
Fig.1



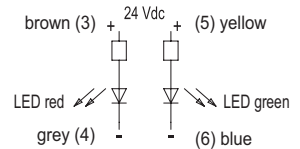
CONTACT WIRING CABLE



PUSH BUTTON

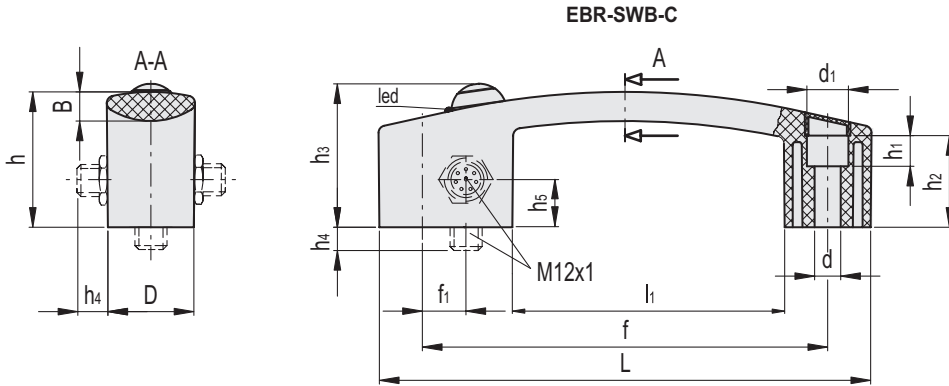
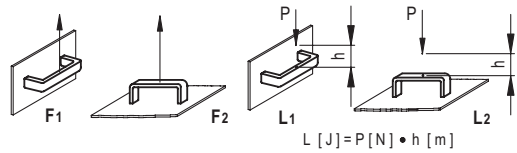


LEDS



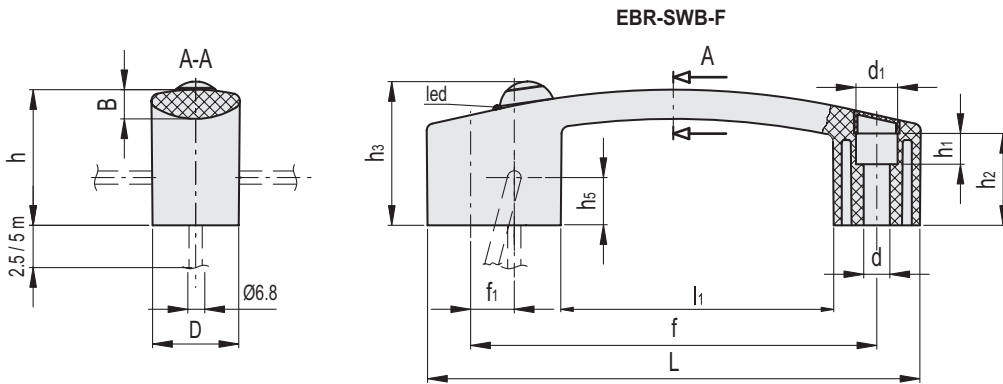
TECHNICAL DATA

Tensile stress and impact strength: the values F1, F2, L1 and L2 indicated in the table were obtained during breaking tests carried out with the appropriate dynamometric equipment under the test conditions shown in the figure with ambient temperature.



EBR-SWB-C

Code	Description	L	f	d	d1	f1	D	h	h1	h2	h3	h4	h5	B	l1	F1 [N]	F2 [N]	L1 [J]	L2 [J]	⚖️	
260571-C1	EBR.150-SWB-B-C	160	132±0.5	8.5	13.5	16	28	44	10	30	47	11	-	8.5	89	2800	2900	35	8	96	
260581-C1	EBR.150-SWB-L-C	160	132±0.5	8.5	13.5	16	28	44	10	30	47	16	13	8.5	89	2800	2900	35	8	96	
260591-C1	EBR.150-SWB-R-C	160	132±0.5	8.5	13.5	16	28	44	10	30	47	16	13	8.5	89	2800	2900	35	8	96	



EBR-SWB-F

Code	Description	L	f	d	d1	f1	D	h	h1	h2	h3	h5	B	l1	F1 [N]	F2 [N]	L1 [J]	L2 [J]	⚖️	
260576-C1	EBR.150-SWB-B-F2,5	160	132±0.5	8.5	13.5	16	28	44	10	30	47	-	8.5	89	2800	2900	35	8	220	
260572-C1	EBR.150-SWB-B-F5	160	132±0.5	8.5	13.5	16	28	44	10	30	47	-	8.5	89	2800	2900	35	8	344	
260586-C1	EBR.150-SWB-L-F2,5	160	132±0.5	8.5	13.5	16	28	44	10	30	47	13	8.5	89	2800	2900	35	8	220	
260582-C1	EBR.150-SWB-L-F5	160	132±0.5	8.5	13.5	16	28	44	10	30	47	13	8.5	89	2800	2900	35	8	344	
260596-C1	EBR.150-SWB-R-F2,5	160	132±0.5	8.5	13.5	16	28	44	10	30	47	13	8.5	89	2800	2900	35	8	220	
260592-C1	EBR.150-SWB-R-F5	160	132±0.5	8.5	13.5	16	28	44	10	30	47	13	8.5	89	2800	2900	35	8	344	

