

## Adjustable handles

### Zinc alloy, steel or stainless steel clamping element

#### LEVER BODY

Die cast zinc alloy, epoxy resin coating, orange, red, grey, black colours, matte finish.

#### STANDARD EXECUTIONS

- **ERM-A:** black-oxide steel clamping element with threaded hole and retaining screw. Steel return spring.
- **ERM-SST:** AISI 303 stainless steel clamping element with threaded hole and retaining screw. AISI 301 stainless steel return spring.
- **ERM-p:** black-oxide steel clamping element with threaded stud and retaining screw. Steel return spring.
- **ERM-SST-p:** AISI 303 stainless steel clamping element with threaded stud and retaining screw. AISI 301 stainless steel return spring.

Retaining screw with six-lobed socket to fit TORX®.

#### FEATURES AND APPLICATIONS

Particularly suitable when the lever turning angle is limited owing to lack of space.

#### SPECIAL EXECUTIONS ON REQUEST

- Lever body in different colours.
- Chrome-plated lever.
- Clamping element with plain hole.

#### INSTRUCTIONS OF USE

For clamping, lift the lever to disengage the clamping device teeth and bring it back to start position. By releasing the lever, the return spring automatically engages the teeth.

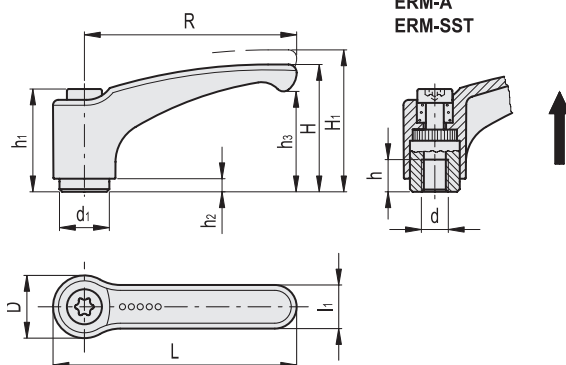
If the lever cannot make a 360° rotation, the clamping element can be easily screwed by means of the six-lobed socket front head screw (after having disengaged the lever).

\* Registered trademark by **TEXTRON INC.**



ERGOSTYLE®

ERM-A  
ERM-SST



\* Complete with colour index of the lever body, example: 240002-C2 ERM.44 A-M4-C2

**C2** RAL2004      **C6** RAL3000      **C8** RAL9006      **C9** RAL9005

#### ERM-A

| Code     | Description    | R  | d   | L    | D    | H  | H1 | h  | h1   | h2  | h3   | d1   | l1   | Teeth no. | ⚖️ |
|----------|----------------|----|-----|------|------|----|----|----|------|-----|------|------|------|-----------|----|
| 240002-* | ERM.44 A-M4-*  | 44 | M4  | 52   | 14.5 | 30 | 33 | 8  | 24.5 | 3.5 | 20.5 | 10   | 11   | 18        | 16 |
| 240003-* | ERM.44 A-M5-*  | 44 | M5  | 52   | 14.5 | 30 | 33 | 8  | 24.5 | 3.5 | 20.5 | 10   | 11   | 18        | 16 |
| 240004-* | ERM.44 A-M6-*  | 44 | M6  | 52   | 14.5 | 30 | 33 | 8  | 24.5 | 3.5 | 20.5 | 10   | 11   | 18        | 15 |
| 240014-* | ERM.63 A-M6-*  | 63 | M6  | 73.5 | 18   | 38 | 41 | 10 | 31   | 3.5 | 27   | 13.5 | 13.5 | 24        | 36 |
| 240015-* | ERM.63 A-M8-*  | 63 | M8  | 73.5 | 18   | 38 | 41 | 10 | 31   | 3.5 | 27   | 13.5 | 13.5 | 24        | 34 |
| 240025-* | ERM.78 A-M8-*  | 78 | M8  | 90.5 | 21.5 | 46 | 50 | 14 | 36   | 3.5 | 34.5 | 16   | 16   | 26        | 61 |
| 240026-* | ERM.78 A-M10-* | 78 | M10 | 90.5 | 21.5 | 46 | 50 | 14 | 36   | 3.5 | 34.5 | 16   | 16   | 26        | 55 |
| 240036-* | ERM.95 A-M10-* | 95 | M10 | 109  | 25   | 56 | 61 | 17 | 43   | 5   | 42   | 19.5 | 18   | 28        | 93 |
| 240037-* | ERM.95 A-M12-* | 95 | M12 | 109  | 25   | 56 | 61 | 17 | 43   | 5   | 42   | 19.5 | 18   | 28        | 86 |

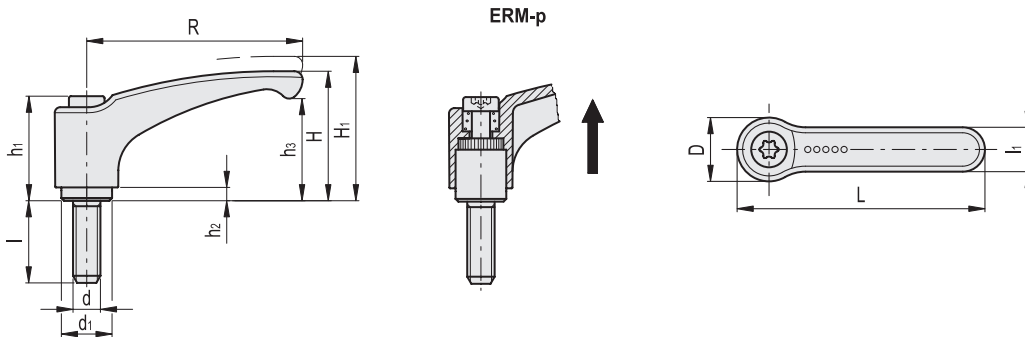
#### ERM-SST

STAINLESS STEEL

| Code     | Description        | R  | d   | L    | D    | H  | H1 | h  | h1   | h2  | h3   | d1   | l1   | Teeth no. | ⚖️ |
|----------|--------------------|----|-----|------|------|----|----|----|------|-----|------|------|------|-----------|----|
| 241002-* | ERM.44 SST-A-M4-*  | 44 | M4  | 52   | 14.5 | 30 | 33 | 8  | 24.5 | 3.5 | 20.5 | 10   | 11   | 18        | 16 |
| 241003-* | ERM.44 SST-A-M5-*  | 44 | M5  | 52   | 14.5 | 30 | 33 | 8  | 24.5 | 3.5 | 20.5 | 10   | 11   | 18        | 15 |
| 241014-* | ERM.63 SST-A-M6-*  | 63 | M6  | 73.5 | 18   | 38 | 41 | 10 | 31   | 3.5 | 27   | 13.5 | 13.5 | 24        | 36 |
| 241015-* | ERM.63 SST-A-M8-*  | 63 | M8  | 73.5 | 18   | 38 | 41 | 10 | 31   | 3.5 | 27   | 13.5 | 13.5 | 24        | 34 |
| 241025-* | ERM.78 SST-A-M8-*  | 78 | M8  | 90.5 | 21.5 | 46 | 50 | 14 | 36   | 3.5 | 34.5 | 16   | 16   | 26        | 61 |
| 241026-* | ERM.78 SST-A-M10-* | 78 | M10 | 90.5 | 21.5 | 46 | 50 | 14 | 36   | 3.5 | 34.5 | 16   | 16   | 26        | 55 |
| 241036-* | ERM.95 SST-A-M10-* | 95 | M10 | 109  | 25   | 56 | 61 | 17 | 43   | 5   | 42   | 19.5 | 18   | 28        | 93 |
| 241037-* | ERM.95 SST-A-M12-* | 95 | M12 | 109  | 25   | 56 | 61 | 17 | 43   | 5   | 42   | 19.5 | 18   | 28        | 86 |



Clamping levers 3



\* Complete with colour index of the lever body, example: 240103-C2 ERM.44 p-M4x12-C2

**C2**  
RAL2004

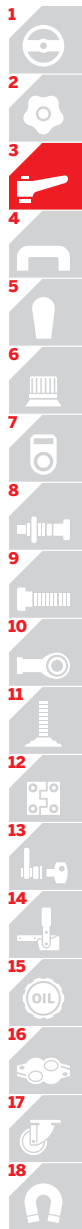
**C6**  
RAL3000

**C8**  
RAL9006

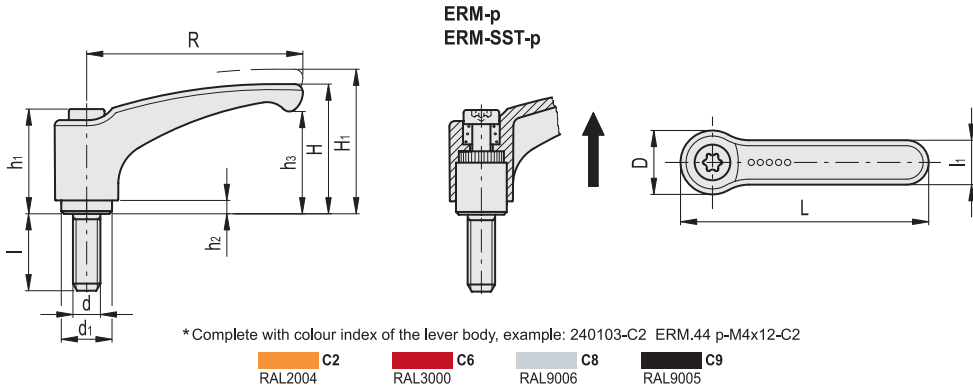
**C9**  
RAL9005

ERM-p

| Code     | Description       | R  | d   | L    | D    | H  | H1 | h1   | h2  | h3   | d1   | l  | l1   | Teeth no. |    |
|----------|-------------------|----|-----|------|------|----|----|------|-----|------|------|----|------|-----------|----|
| 240103-* | ERM.44 p-M4x12-*  | 44 | M4  | 52   | 14.5 | 30 | 33 | 24.5 | 3.5 | 20.5 | 10   | 12 | 11   | 18        | 15 |
| 240105-* | ERM.44 p-M4x16-*  | 44 | M4  | 52   | 14.5 | 30 | 33 | 24.5 | 3.5 | 20.5 | 10   | 16 | 11   | 18        | 16 |
| 240107-* | ERM.44 p-M4x20-*  | 44 | M4  | 52   | 14.5 | 30 | 33 | 24.5 | 3.5 | 20.5 | 10   | 20 | 11   | 18        | 17 |
| 240109-* | ERM.44 p-M4x25-*  | 44 | M4  | 52   | 14.5 | 30 | 33 | 24.5 | 3.5 | 20.5 | 10   | 25 | 11   | 18        | 18 |
| 240111-* | ERM.44 p-M4x32-*  | 44 | M4  | 52   | 14.5 | 30 | 33 | 24.5 | 3.5 | 20.5 | 10   | 32 | 11   | 18        | 19 |
| 240133-* | ERM.44 p-M5x12-*  | 44 | M5  | 52   | 14.5 | 30 | 33 | 24.5 | 3.5 | 20.5 | 10   | 12 | 11   | 18        | 17 |
| 240135-* | ERM.44 p-M5x16-*  | 44 | M5  | 52   | 14.5 | 30 | 33 | 24.5 | 3.5 | 20.5 | 10   | 16 | 11   | 18        | 18 |
| 240137-* | ERM.44 p-M5x20-*  | 44 | M5  | 52   | 14.5 | 30 | 33 | 24.5 | 3.5 | 20.5 | 10   | 20 | 11   | 18        | 19 |
| 240139-* | ERM.44 p-M5x25-*  | 44 | M5  | 52   | 14.5 | 30 | 33 | 24.5 | 3.5 | 20.5 | 10   | 25 | 11   | 18        | 20 |
| 240141-* | ERM.44 p-M5x32-*  | 44 | M5  | 52   | 14.5 | 30 | 33 | 24.5 | 3.5 | 20.5 | 10   | 32 | 11   | 18        | 21 |
| 240143-* | ERM.44 p-M5x40-*  | 44 | M5  | 52   | 14.5 | 30 | 33 | 24.5 | 3.5 | 20.5 | 10   | 40 | 11   | 18        | 22 |
| 240145-* | ERM.44 p-M5x50-*  | 44 | M5  | 52   | 14.5 | 30 | 33 | 24.5 | 3.5 | 20.5 | 10   | 50 | 11   | 18        | 23 |
| 240153-* | ERM.44 p-M6x12-*  | 44 | M6  | 52   | 14.5 | 30 | 33 | 24.5 | 3.5 | 20.5 | 10   | 12 | 11   | 18        | 19 |
| 240155-* | ERM.44 p-M6x16-*  | 44 | M6  | 52   | 14.5 | 30 | 33 | 24.5 | 3.5 | 20.5 | 10   | 16 | 11   | 18        | 20 |
| 240157-* | ERM.44 p-M6x20-*  | 44 | M6  | 52   | 14.5 | 30 | 33 | 24.5 | 3.5 | 20.5 | 10   | 20 | 11   | 18        | 21 |
| 240159-* | ERM.44 p-M6x25-*  | 44 | M6  | 52   | 14.5 | 30 | 33 | 24.5 | 3.5 | 20.5 | 10   | 25 | 11   | 18        | 22 |
| 240161-* | ERM.44 p-M6x32-*  | 44 | M6  | 52   | 14.5 | 30 | 33 | 24.5 | 3.5 | 20.5 | 10   | 32 | 11   | 18        | 23 |
| 240163-* | ERM.44 p-M6x40-*  | 44 | M6  | 52   | 14.5 | 30 | 33 | 24.5 | 3.5 | 20.5 | 10   | 40 | 11   | 18        | 24 |
| 240165-* | ERM.44 p-M6x50-*  | 44 | M6  | 52   | 14.5 | 30 | 33 | 24.5 | 3.5 | 20.5 | 10   | 50 | 11   | 18        | 25 |
| 240233-* | ERM.63 p-M6x12-*  | 63 | M6  | 73.5 | 18   | 38 | 41 | 31   | 3.5 | 27   | 13.5 | 12 | 13.5 | 24        | 47 |
| 240235-* | ERM.63 p-M6x16-*  | 63 | M6  | 73.5 | 18   | 38 | 41 | 31   | 3.5 | 27   | 13.5 | 16 | 13.5 | 24        | 49 |
| 240237-* | ERM.63 p-M6x20-*  | 63 | M6  | 73.5 | 18   | 38 | 41 | 31   | 3.5 | 27   | 13.5 | 20 | 13.5 | 24        | 55 |
| 240239-* | ERM.63 p-M6x25-*  | 63 | M6  | 73.5 | 18   | 38 | 41 | 31   | 3.5 | 27   | 13.5 | 25 | 13.5 | 24        | 57 |
| 240241-* | ERM.63 p-M6x32-*  | 63 | M6  | 73.5 | 18   | 38 | 41 | 31   | 3.5 | 27   | 13.5 | 32 | 13.5 | 24        | 61 |
| 240243-* | ERM.63 p-M6x40-*  | 63 | M6  | 73.5 | 18   | 38 | 41 | 31   | 3.5 | 27   | 13.5 | 40 | 13.5 | 24        | 68 |
| 240245-* | ERM.63 p-M6x50-*  | 63 | M6  | 73.5 | 18   | 38 | 41 | 31   | 3.5 | 27   | 13.5 | 50 | 13.5 | 24        | 77 |
| 240247-* | ERM.63 p-M6x63-*  | 63 | M6  | 73.5 | 18   | 38 | 41 | 31   | 3.5 | 27   | 13.5 | 63 | 13.5 | 24        | 79 |
| 240251-* | ERM.63 p-M8x12-*  | 63 | M8  | 73.5 | 18   | 38 | 41 | 31   | 3.5 | 27   | 13.5 | 12 | 13.5 | 24        | 40 |
| 240253-* | ERM.63 p-M8x16-*  | 63 | M8  | 73.5 | 18   | 38 | 41 | 31   | 3.5 | 27   | 13.5 | 16 | 13.5 | 24        | 41 |
| 240255-* | ERM.63 p-M8x20-*  | 63 | M8  | 73.5 | 18   | 38 | 41 | 31   | 3.5 | 27   | 13.5 | 20 | 13.5 | 24        | 42 |
| 240257-* | ERM.63 p-M8x25-*  | 63 | M8  | 73.5 | 18   | 38 | 41 | 31   | 3.5 | 27   | 13.5 | 25 | 13.5 | 24        | 43 |
| 240259-* | ERM.63 p-M8x32-*  | 63 | M8  | 73.5 | 18   | 38 | 41 | 31   | 3.5 | 27   | 13.5 | 32 | 13.5 | 24        | 44 |
| 240261-* | ERM.63 p-M8x40-*  | 63 | M8  | 73.5 | 18   | 38 | 41 | 31   | 3.5 | 27   | 13.5 | 40 | 13.5 | 24        | 46 |
| 240263-* | ERM.63 p-M8x50-*  | 63 | M8  | 73.5 | 18   | 38 | 41 | 31   | 3.5 | 27   | 13.5 | 50 | 13.5 | 24        | 48 |
| 240265-* | ERM.63 p-M8x63-*  | 63 | M8  | 73.5 | 18   | 38 | 41 | 31   | 3.5 | 27   | 13.5 | 63 | 13.5 | 24        | 51 |
| 240273-* | ERM.63 p-M10x20-* | 63 | M10 | 73.5 | 18   | 38 | 41 | 31   | 3.5 | 27   | 13.5 | 20 | 13.5 | 24        | 42 |
| 240275-* | ERM.63 p-M10x25-* | 63 | M10 | 73.5 | 18   | 38 | 41 | 31   | 3.5 | 27   | 13.5 | 25 | 13.5 | 24        | 43 |
| 240277-* | ERM.63 p-M10x32-* | 63 | M10 | 73.5 | 18   | 38 | 41 | 31   | 3.5 | 27   | 13.5 | 32 | 13.5 | 24        | 45 |
| 240279-* | ERM.63 p-M10x40-* | 63 | M10 | 73.5 | 18   | 38 | 41 | 31   | 3.5 | 27   | 13.5 | 40 | 13.5 | 24        | 47 |
| 240281-* | ERM.63 p-M10x50-* | 63 | M10 | 73.5 | 18   | 38 | 41 | 31   | 3.5 | 27   | 13.5 | 50 | 13.5 | 24        | 52 |
| 240283-* | ERM.63 p-M10x63-* | 63 | M10 | 73.5 | 18   | 38 | 41 | 31   | 3.5 | 27   | 13.5 | 63 | 13.5 | 24        | 53 |
| 240285-* | ERM.63 p-M10x80-* | 63 | M10 | 73.5 | 18   | 38 | 41 | 31   | 3.5 | 27   | 13.5 | 80 | 13.5 | 24        | 57 |



3  
Clamping levers



ERM-p

| Code     | Description       | R  | d   | L    | D    | H  | H1 | h1 | h2  | h3   | d1 | l  | li | Teeth no. |     |
|----------|-------------------|----|-----|------|------|----|----|----|-----|------|----|----|----|-----------|-----|
| 240333-* | ERM.78 p-M8x16-*  | 78 | M8  | 90.5 | 21.5 | 46 | 50 | 36 | 3.5 | 34.5 | 16 | 16 | 16 | 26        | 70  |
| 240335-* | ERM.78 p-M8x20-*  | 78 | M8  | 90.5 | 21.5 | 46 | 50 | 36 | 3.5 | 34.5 | 16 | 20 | 16 | 26        | 73  |
| 240337-* | ERM.78 p-M8x25-*  | 78 | M8  | 90.5 | 21.5 | 46 | 50 | 36 | 3.5 | 34.5 | 16 | 25 | 16 | 26        | 76  |
| 240339-* | ERM.78 p-M8x32-*  | 78 | M8  | 90.5 | 21.5 | 46 | 50 | 36 | 3.5 | 34.5 | 16 | 32 | 16 | 26        | 81  |
| 240341-* | ERM.78 p-M8x40-*  | 78 | M8  | 90.5 | 21.5 | 46 | 50 | 36 | 3.5 | 34.5 | 16 | 40 | 16 | 26        | 86  |
| 240343-* | ERM.78 p-M8x50-*  | 78 | M8  | 90.5 | 21.5 | 46 | 50 | 36 | 3.5 | 34.5 | 16 | 50 | 16 | 26        | 88  |
| 240345-* | ERM.78 p-M8x63-*  | 78 | M8  | 90.5 | 21.5 | 46 | 50 | 36 | 3.5 | 34.5 | 16 | 63 | 16 | 26        | 94  |
| 240347-* | ERM.78 p-M8x80-*  | 78 | M8  | 90.5 | 21.5 | 46 | 50 | 36 | 3.5 | 34.5 | 16 | 80 | 16 | 26        | 97  |
| 240351-* | ERM.78 p-M10x16-* | 78 | M10 | 90.5 | 21.5 | 46 | 50 | 36 | 3.5 | 34.5 | 16 | 16 | 16 | 26        | 82  |
| 240353-* | ERM.78 p-M10x20-* | 78 | M10 | 90.5 | 21.5 | 46 | 50 | 36 | 3.5 | 34.5 | 16 | 20 | 16 | 26        | 85  |
| 240355-* | ERM.78 p-M10x25-* | 78 | M10 | 90.5 | 21.5 | 46 | 50 | 36 | 3.5 | 34.5 | 16 | 25 | 16 | 26        | 91  |
| 240357-* | ERM.78 p-M10x32-* | 78 | M10 | 90.5 | 21.5 | 46 | 50 | 36 | 3.5 | 34.5 | 16 | 32 | 16 | 26        | 98  |
| 240359-* | ERM.78 p-M10x40-* | 78 | M10 | 90.5 | 21.5 | 46 | 50 | 36 | 3.5 | 34.5 | 16 | 40 | 16 | 26        | 108 |
| 240361-* | ERM.78 p-M10x50-* | 78 | M10 | 90.5 | 21.5 | 46 | 50 | 36 | 3.5 | 34.5 | 16 | 50 | 16 | 26        | 120 |
| 240363-* | ERM.78 p-M10x63-* | 78 | M10 | 90.5 | 21.5 | 46 | 50 | 36 | 3.5 | 34.5 | 16 | 63 | 16 | 26        | 124 |
| 240365-* | ERM.78 p-M10x80-* | 78 | M10 | 90.5 | 21.5 | 46 | 50 | 36 | 3.5 | 34.5 | 16 | 80 | 16 | 26        | 127 |
| 240373-* | ERM.78 p-M12x25-* | 78 | M12 | 90.5 | 21.5 | 46 | 50 | 36 | 3.5 | 34.5 | 16 | 25 | 16 | 26        | 109 |
| 240375-* | ERM.78 p-M12x32-* | 78 | M12 | 90.5 | 21.5 | 46 | 50 | 36 | 3.5 | 34.5 | 16 | 32 | 16 | 26        | 118 |
| 240377-* | ERM.78 p-M12x40-* | 78 | M12 | 90.5 | 21.5 | 46 | 50 | 36 | 3.5 | 34.5 | 16 | 40 | 16 | 26        | 130 |
| 240379-* | ERM.78 p-M12x50-* | 78 | M12 | 90.5 | 21.5 | 46 | 50 | 36 | 3.5 | 34.5 | 16 | 50 | 16 | 26        | 144 |
| 240381-* | ERM.78 p-M12x63-* | 78 | M12 | 90.5 | 21.5 | 46 | 50 | 36 | 3.5 | 34.5 | 16 | 63 | 16 | 26        | 149 |
| 240383-* | ERM.78 p-M12x80-* | 78 | M12 | 90.5 | 21.5 | 46 | 50 | 36 | 3.5 | 34.5 | 16 | 80 | 16 | 26        | 152 |
| 240423-* | ERM.95 p-M10x16-* | 95 | M10 | 109  | 25   | 56 | 61 | 43 | 5   | 42   | 19 | 16 | 18 | 28        | 111 |
| 240425-* | ERM.95 p-M10x20-* | 95 | M10 | 109  | 25   | 56 | 61 | 43 | 5   | 42   | 19 | 20 | 18 | 28        | 113 |
| 240427-* | ERM.95 p-M10x25-* | 95 | M10 | 109  | 25   | 56 | 61 | 43 | 5   | 42   | 19 | 25 | 18 | 28        | 115 |
| 240429-* | ERM.95 p-M10x32-* | 95 | M10 | 109  | 25   | 56 | 61 | 43 | 5   | 42   | 19 | 32 | 18 | 28        | 118 |
| 240431-* | ERM.95 p-M10x40-* | 95 | M10 | 109  | 25   | 56 | 61 | 43 | 5   | 42   | 19 | 40 | 18 | 28        | 121 |
| 240433-* | ERM.95 p-M10x50-* | 95 | M10 | 109  | 25   | 56 | 61 | 43 | 5   | 42   | 19 | 50 | 18 | 28        | 128 |
| 240435-* | ERM.95 p-M10x63-* | 95 | M10 | 109  | 25   | 56 | 61 | 43 | 5   | 42   | 19 | 63 | 18 | 28        | 133 |
| 240437-* | ERM.95 p-M10x80-* | 95 | M10 | 109  | 25   | 56 | 61 | 43 | 5   | 42   | 19 | 80 | 18 | 28        | 141 |
| 240447-* | ERM.95 p-M12x16-* | 95 | M12 | 109  | 25   | 56 | 61 | 43 | 5   | 42   | 19 | 16 | 18 | 28        | 113 |
| 240449-* | ERM.95 p-M12x20-* | 95 | M12 | 109  | 25   | 56 | 61 | 43 | 5   | 42   | 19 | 20 | 18 | 28        | 117 |
| 240451-* | ERM.95 p-M12x25-* | 95 | M12 | 109  | 25   | 56 | 61 | 43 | 5   | 42   | 19 | 25 | 18 | 28        | 122 |
| 240453-* | ERM.95 p-M12x32-* | 95 | M12 | 109  | 25   | 56 | 61 | 43 | 5   | 42   | 19 | 32 | 18 | 28        | 125 |
| 240455-* | ERM.95 p-M12x40-* | 95 | M12 | 109  | 25   | 56 | 61 | 43 | 5   | 42   | 19 | 40 | 18 | 28        | 132 |
| 240457-* | ERM.95 p-M12x50-* | 95 | M12 | 109  | 25   | 56 | 61 | 43 | 5   | 42   | 19 | 50 | 18 | 28        | 141 |
| 240459-* | ERM.95 p-M12x63-* | 95 | M12 | 109  | 25   | 56 | 61 | 43 | 5   | 42   | 19 | 63 | 18 | 28        | 151 |
| 240461-* | ERM.95 p-M12x80-* | 95 | M12 | 109  | 25   | 56 | 61 | 43 | 5   | 42   | 19 | 80 | 18 | 28        | 160 |
| 240473-* | ERM.95 p-M16x25-* | 95 | M16 | 109  | 25   | 56 | 61 | 43 | 5   | 42   | 19 | 25 | 18 | 28        | 139 |
| 240475-* | ERM.95 p-M16x32-* | 95 | M16 | 109  | 25   | 56 | 61 | 43 | 5   | 42   | 19 | 32 | 18 | 28        | 146 |
| 240477-* | ERM.95 p-M16x40-* | 95 | M16 | 109  | 25   | 56 | 61 | 43 | 5   | 42   | 19 | 40 | 18 | 28        | 154 |
| 240479-* | ERM.95 p-M16x50-* | 95 | M16 | 109  | 25   | 56 | 61 | 43 | 5   | 42   | 19 | 50 | 18 | 28        | 171 |
| 240481-* | ERM.95 p-M16x63-* | 95 | M16 | 109  | 25   | 56 | 61 | 43 | 5   | 42   | 19 | 63 | 18 | 28        | 184 |
| 240483-* | ERM.95 p-M16x80-* | 95 | M16 | 109  | 25   | 56 | 61 | 43 | 5   | 42   | 19 | 80 | 18 | 28        | 199 |

Clamping levers 3

\* Complete with colour index of the lever body, example: 241133-C2 ERM.44 SST-p-M5x12-C2



ERM-SST-p

STAINLESS STEEL

| Code     | Description           | R  | d   | L    | D    | H  | H1 | h1   | h2  | h3   | d1   | l  | l1   | Teeth no. |     |
|----------|-----------------------|----|-----|------|------|----|----|------|-----|------|------|----|------|-----------|-----|
| 241133.* | ERM.44 SST-p-M5x12.*  | 44 | M5  | 52   | 14.5 | 30 | 33 | 24.5 | 3.5 | 20.5 | 10   | 12 | 11   | 18        | 17  |
| 241135.* | ERM.44 SST-p-M5x16.*  | 44 | M5  | 52   | 14.5 | 30 | 33 | 24.5 | 3.5 | 20.5 | 10   | 16 | 11   | 18        | 18  |
| 241137.* | ERM.44 SST-p-M5x20.*  | 44 | M5  | 52   | 14.5 | 30 | 33 | 24.5 | 3.5 | 20.5 | 10   | 20 | 11   | 18        | 19  |
| 241139.* | ERM.44 SST-p-M5x25.*  | 44 | M5  | 52   | 14.5 | 30 | 33 | 24.5 | 3.5 | 20.5 | 10   | 25 | 11   | 18        | 20  |
| 241141.* | ERM.44 SST-p-M5x32.*  | 44 | M5  | 52   | 14.5 | 30 | 33 | 24.5 | 3.5 | 20.5 | 10   | 32 | 11   | 18        | 21  |
| 241143.* | ERM.44 SST-p-M5x40.*  | 44 | M5  | 52   | 14.5 | 30 | 33 | 24.5 | 3.5 | 20.5 | 10   | 40 | 11   | 18        | 22  |
| 241145.* | ERM.44 SST-p-M5x50.*  | 44 | M5  | 52   | 14.5 | 30 | 33 | 24.5 | 3.5 | 20.5 | 10   | 50 | 11   | 18        | 23  |
| 241153.* | ERM.44 SST-p-M6x12.*  | 44 | M6  | 52   | 14.5 | 30 | 33 | 24.5 | 3.5 | 20.5 | 10   | 12 | 11   | 18        | 19  |
| 241155.* | ERM.44 SST-p-M6x16.*  | 44 | M6  | 52   | 14.5 | 30 | 33 | 24.5 | 3.5 | 20.5 | 10   | 16 | 11   | 18        | 20  |
| 241157.* | ERM.44 SST-p-M6x20.*  | 44 | M6  | 52   | 14.5 | 30 | 33 | 24.5 | 3.5 | 20.5 | 10   | 20 | 11   | 18        | 21  |
| 241159.* | ERM.44 SST-p-M6x25.*  | 44 | M6  | 52   | 14.5 | 30 | 33 | 24.5 | 3.5 | 20.5 | 10   | 25 | 11   | 18        | 22  |
| 241161.* | ERM.44 SST-p-M6x32.*  | 44 | M6  | 52   | 14.5 | 30 | 33 | 24.5 | 3.5 | 20.5 | 10   | 32 | 11   | 18        | 23  |
| 241163.* | ERM.44 SST-p-M6x40.*  | 44 | M6  | 52   | 14.5 | 30 | 33 | 24.5 | 3.5 | 20.5 | 10   | 40 | 11   | 18        | 24  |
| 241165.* | ERM.44 SST-p-M6x50.*  | 44 | M6  | 52   | 14.5 | 30 | 33 | 24.5 | 3.5 | 20.5 | 10   | 50 | 11   | 18        | 25  |
| 241235.* | ERM.63 SST-p-M6x16.*  | 63 | M6  | 73.5 | 18   | 38 | 41 | 31   | 3.5 | 27   | 13.5 | 16 | 13.5 | 24        | 49  |
| 241237.* | ERM.63 SST-p-M6x20.*  | 63 | M6  | 73.5 | 18   | 38 | 41 | 31   | 3.5 | 27   | 13.5 | 20 | 13.5 | 24        | 55  |
| 241239.* | ERM.63 SST-p-M6x25.*  | 63 | M6  | 73.5 | 18   | 38 | 41 | 31   | 3.5 | 27   | 13.5 | 25 | 13.5 | 24        | 57  |
| 241241.* | ERM.63 SST-p-M6x32.*  | 63 | M6  | 73.5 | 18   | 38 | 41 | 31   | 3.5 | 27   | 13.5 | 32 | 13.5 | 24        | 61  |
| 241243.* | ERM.63 SST-p-M6x40.*  | 63 | M6  | 73.5 | 18   | 38 | 41 | 31   | 3.5 | 27   | 13.5 | 40 | 13.5 | 24        | 68  |
| 241245.* | ERM.63 SST-p-M6x50.*  | 63 | M6  | 73.5 | 18   | 38 | 41 | 31   | 3.5 | 27   | 13.5 | 50 | 13.5 | 24        | 77  |
| 241247.* | ERM.63 SST-p-M6x63.*  | 63 | M6  | 73.5 | 18   | 38 | 41 | 31   | 3.5 | 27   | 13.5 | 63 | 13.5 | 24        | 79  |
| 241253.* | ERM.63 SST-p-M8x16.*  | 63 | M8  | 73.5 | 18   | 38 | 41 | 31   | 3.5 | 27   | 13.5 | 16 | 13.5 | 24        | 59  |
| 241255.* | ERM.63 SST-p-M8x20.*  | 63 | M8  | 73.5 | 18   | 38 | 41 | 31   | 3.5 | 27   | 13.5 | 20 | 13.5 | 24        | 66  |
| 241257.* | ERM.63 SST-p-M8x25.*  | 63 | M8  | 73.5 | 18   | 38 | 41 | 31   | 3.5 | 27   | 13.5 | 25 | 13.5 | 24        | 69  |
| 241259.* | ERM.63 SST-p-M8x32.*  | 63 | M8  | 73.5 | 18   | 38 | 41 | 31   | 3.5 | 27   | 13.5 | 32 | 13.5 | 24        | 73  |
| 241261.* | ERM.63 SST-p-M8x40.*  | 63 | M8  | 73.5 | 18   | 38 | 41 | 31   | 3.5 | 27   | 13.5 | 40 | 13.5 | 24        | 82  |
| 241263.* | ERM.63 SST-p-M8x50.*  | 63 | M8  | 73.5 | 18   | 38 | 41 | 31   | 3.5 | 27   | 13.5 | 50 | 13.5 | 24        | 92  |
| 241265.* | ERM.63 SST-p-M8x63.*  | 63 | M8  | 73.5 | 18   | 38 | 41 | 31   | 3.5 | 27   | 13.5 | 63 | 13.5 | 24        | 95  |
| 241335.* | ERM.78 SST-p-M8x20.*  | 78 | M8  | 90.5 | 21.5 | 46 | 50 | 36   | 3.5 | 34.5 | 16   | 20 | 16   | 26        | 69  |
| 241337.* | ERM.78 SST-p-M8x25.*  | 78 | M8  | 90.5 | 21.5 | 46 | 50 | 36   | 3.5 | 34.5 | 16   | 25 | 16   | 26        | 75  |
| 241339.* | ERM.78 SST-p-M8x32.*  | 78 | M8  | 90.5 | 21.5 | 46 | 50 | 36   | 3.5 | 34.5 | 16   | 32 | 16   | 26        | 80  |
| 241341.* | ERM.78 SST-p-M8x40.*  | 78 | M8  | 90.5 | 21.5 | 46 | 50 | 36   | 3.5 | 34.5 | 16   | 40 | 16   | 26        | 88  |
| 241343.* | ERM.78 SST-p-M8x50.*  | 78 | M8  | 90.5 | 21.5 | 46 | 50 | 36   | 3.5 | 34.5 | 16   | 50 | 16   | 26        | 98  |
| 241345.* | ERM.78 SST-p-M8x63.*  | 78 | M8  | 90.5 | 21.5 | 46 | 50 | 36   | 3.5 | 34.5 | 16   | 63 | 16   | 26        | 101 |
| 241347.* | ERM.78 SST-p-M8x80.*  | 78 | M8  | 90.5 | 21.5 | 46 | 50 | 36   | 3.5 | 34.5 | 16   | 80 | 16   | 26        | 104 |
| 241353.* | ERM.78 SST-p-M10x20.* | 78 | M10 | 90.5 | 21.5 | 46 | 50 | 36   | 3.5 | 34.5 | 16   | 20 | 16   | 26        | 85  |
| 241355.* | ERM.78 SST-p-M10x25.* | 78 | M10 | 90.5 | 21.5 | 46 | 50 | 36   | 3.5 | 34.5 | 16   | 25 | 16   | 26        | 91  |
| 241357.* | ERM.78 SST-p-M10x32.* | 78 | M10 | 90.5 | 21.5 | 46 | 50 | 36   | 3.5 | 34.5 | 16   | 32 | 16   | 26        | 98  |
| 241359.* | ERM.78 SST-p-M10x40.* | 78 | M10 | 90.5 | 21.5 | 46 | 50 | 36   | 3.5 | 34.5 | 16   | 40 | 16   | 26        | 108 |
| 241361.* | ERM.78 SST-p-M10x50.* | 78 | M10 | 90.5 | 21.5 | 46 | 50 | 36   | 3.5 | 34.5 | 16   | 50 | 16   | 26        | 120 |
| 241363.* | ERM.78 SST-p-M10x63.* | 78 | M10 | 90.5 | 21.5 | 46 | 50 | 36   | 3.5 | 34.5 | 16   | 63 | 16   | 26        | 124 |
| 241365.* | ERM.78 SST-p-M10x80.* | 78 | M10 | 90.5 | 21.5 | 46 | 50 | 36   | 3.5 | 34.5 | 16   | 80 | 16   | 26        | 127 |
| 241425.* | ERM.95 SST-p-M10x20.* | 95 | M10 | 109  | 25   | 56 | 61 | 43   | 5   | 42   | 19   | 20 | 18   | 28        | 113 |
| 241427.* | ERM.95 SST-p-M10x25.* | 95 | M10 | 109  | 25   | 56 | 61 | 43   | 5   | 42   | 19   | 25 | 18   | 28        | 115 |
| 241429.* | ERM.95 SST-p-M10x32.* | 95 | M10 | 109  | 25   | 56 | 61 | 43   | 5   | 42   | 19   | 32 | 18   | 28        | 118 |
| 241431.* | ERM.95 SST-p-M10x40.* | 95 | M10 | 109  | 25   | 56 | 61 | 43   | 5   | 42   | 19   | 40 | 18   | 28        | 121 |
| 241433.* | ERM.95 SST-p-M10x50.* | 95 | M10 | 109  | 25   | 56 | 61 | 43   | 5   | 42   | 19   | 50 | 18   | 28        | 128 |
| 241435.* | ERM.95 SST-p-M10x63.* | 95 | M10 | 109  | 25   | 56 | 61 | 43   | 5   | 42   | 19   | 63 | 18   | 28        | 133 |
| 241437.* | ERM.95 SST-p-M10x80.* | 95 | M10 | 109  | 25   | 56 | 61 | 43   | 5   | 42   | 19   | 80 | 18   | 28        | 141 |
| 241449.* | ERM.95 SST-p-M12x20.* | 95 | M12 | 109  | 25   | 56 | 61 | 43   | 5   | 42   | 19   | 20 | 18   | 28        | 117 |
| 241451.* | ERM.95 SST-p-M12x25.* | 95 | M12 | 109  | 25   | 56 | 61 | 43   | 5   | 42   | 19   | 25 | 18   | 28        | 122 |
| 241453.* | ERM.95 SST-p-M12x32.* | 95 | M12 | 109  | 25   | 56 | 61 | 43   | 5   | 42   | 19   | 32 | 18   | 28        | 125 |
| 241455.* | ERM.95 SST-p-M12x40.* | 95 | M12 | 109  | 25   | 56 | 61 | 43   | 5   | 42   | 19   | 40 | 18   | 28        | 132 |
| 241457.* | ERM.95 SST-p-M12x50.* | 95 | M12 | 109  | 25   | 56 | 61 | 43   | 5   | 42   | 19   | 50 | 18   | 28        | 141 |
| 241459.* | ERM.95 SST-p-M12x63.* | 95 | M12 | 109  | 25   | 56 | 61 | 43   | 5   | 42   | 19   | 63 | 18   | 28        | 151 |
| 241461.* | ERM.95 SST-p-M12x80.* | 95 | M12 | 109  | 25   | 56 | 61 | 43   | 5   | 42   | 19   | 80 | 18   | 28        | 160 |



Clamping levers