

## Flange

for threaded cap, technopolymer

### MATERIAL

- Flange: glass-fibre reinforced polyamide based (PA) technopolymer with threaded connector.
- Basket: polypropylene based (PP) technopolymer.

### COLOUR

Black, matte finish.

### PACKING RINGS

Cork impregnated MGS based rubber.

### MOUNTING

By means of six zinc-plated steel self-tapping screws TC-N10 (Ø 4.8x19) UNI 6951-DIN 7971, supplied.

### NOTE

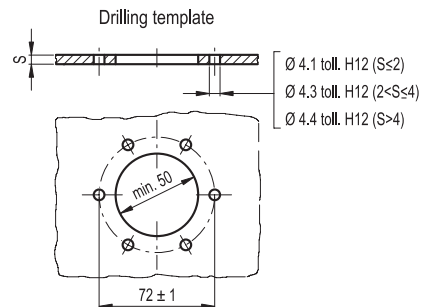
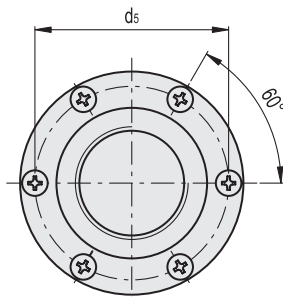
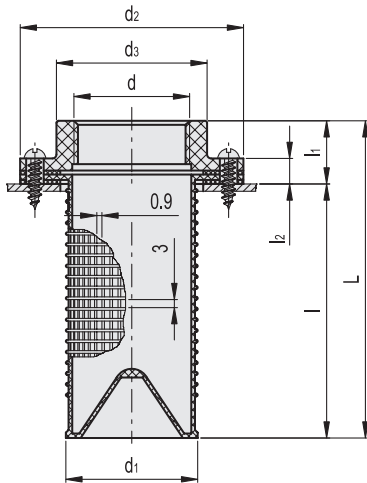
The breather cap to be coupled to the flange is not included in the supply and has to be ordered separately.  
Depending on the customer's requirements, can be used breather caps type SFN. (see page 1698), SFP. (see page 1702), SFW. (see page 1712).

### SPECIAL EXECUTIONS ON REQUEST

Threaded flange without basket (FRF).



ELESA Original design if



Code	Description	d	L	d1	d2	d3	d5	l	l1	l2	
9101	FRF+C	G 1¼	118	49	83	56	72	93.5	24.5	10.5	105