

## Linear guide rail

Round profile R7, technopolymer, stainless steel

### GUIDE PROFILE

Polyethylene based (HMWPE) technopolymer, natural colour.

### BRACKET

AISI 304 stainless steel.

### FEATURES AND APPLICATIONS

GLT side guide for the side guide of products with a good stability on conveyor belts (Fig.1), without leaving traces on the containers.

High molecular weight polyethylene (HMWPE) has a high wear resistance; it is particularly suitable for high-speed movements due to its low coefficient of friction.

Supplied in bars of 1500 or 3000 mm length.

### SPECIAL EXECUTIONS ON REQUEST

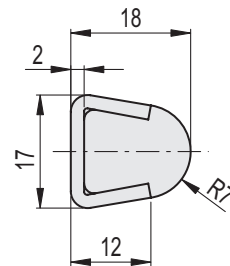
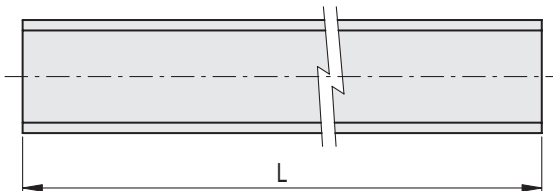
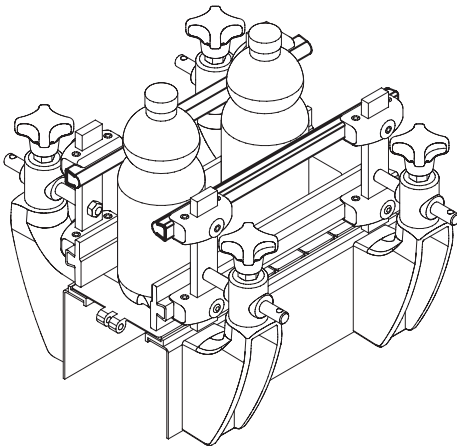
Side guides in blue colour RAL 5005.

### ACCESSORIES ON REQUEST

Guide rail clamps MPG-T, MPG-2T, MPG-T-S.



Fig.1



### STAINLESS STEEL

Code	Description	L	ΔΔ
419197	GLT-14R7-3000	3000	2070
419196	GLT-14R7-1500	1500	1038