

Linear actuator connectors for linear actuators Ø18, for two-way axis system

SPECIFICATION

Identification No.

No. **2**: with 2 Stainless Steel-Clamping screws DIN 912

Version in Aluminium

plastic coated
black, RAL 9005, textured finish **SW**

Version in Stainless Steel AISI CF-8 NI

- matt shot-blasted

Clamping bores mechanically machined

Slide bushing

Polyamide

Socket cap screw DIN 912

Stainless Steel AISI 304

Hexagon nuts DIN 985

Stainless Steel AISI 304



INFORMATION

GN 131.2 linear actuator connectors are normally supplied **mounted** only in connection with a linear actuator and for function control.

By means of the clamping screws on the guide bores d_1 / d_2 the movement can either be set or the linear actuator connector can be clamped (after setting of final adjustment).

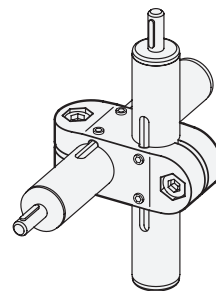
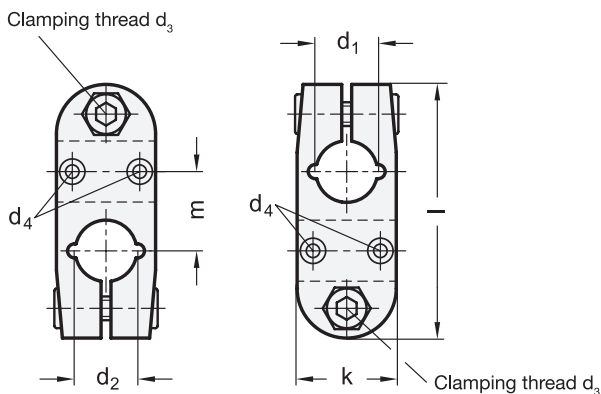
The standard version of the clamping screws are socket cap screws with hexagonal socket DIN 912. They can be replaced by adjustable clamping levers GN 911.3 (see page 1875) (see table of dimensions).

ACCESSORY

- Clamping kits GN 911 (see page 1874) / GN 911.3 (see page 1875)

TECHNICAL INFORMATION

- Stainless Steel characteristics (see page A26)



GN 131.2

Description	d1 Bore B without slide bushing	d1 Bore G with slide bushing	d2	d3	d4	k	l	m	Clamping kits for d3	⚖
GN 131.2-B18-B18-2-SW	B 18	-	B 18	M 6	M 3	25	64	20	GN 911-M6-22	62
GN 131.2-G18-G18-2-SW	-	G 18	G 18	M 6	M 3	25	64	20	GN 911-M6-22	62

GN 131.2-NI

STAINLESS STEEL

Description	d1 Bore G with slide bushing	d2	d3	d4	k	l	m	Clamping kits for d3	⚖
GN 131.2-G18-G18-2-NI	G 18	G 18	M 6	M 3	25	64	20	GN 911.3-M6-22	148

