



Control elements 6

Indexing mechanisms

Steel / Stainless Steel

SPECIFICATION

Version in Steel

Types

- Type **A**: Control knob, blackened, without scale
- Type **AS**: Control knob, matt chrome plated, with scale 0...50, 60 graduations
- Type **B**: with 1 tension lever
- Type **C**: with 2 tension levers

Steel
blackened

Type AS:
Control knob matt chrome plated

- Scale engraved with laser precision, black
- Reference line on location ring

Fixed cylindrical handles l.280 (see page 568)
Plastic, Technopolymer
black, shiny finish

Version in Stainless Steel

Types

- Type **A**: without scale
- Type **AS**: with scale 0...50, 60 graduations

Stainless Steel AISI 303 NI

- Type AS:
- Scale engraved with laser precision
 - Reference line on locating ring

Keyway P9 DIN 6885 for bore > K 10 (Steel and Stainless Steel)

INFORMATION

Indexing mechanisms GN 200 replace and simplify complicated indexing and safety mechanisms.

Besides the standard scale (Type AS) the control knob version may be supplied with any scale. In such cases, it is recommended to use the matt chrome plated version since the colour contrast is better). Regarding design, numbering run, numbering position and numbering sequence of the scale please see the layout for scale rings on the order sheet "How to order graduations" (see page 594).

ON REQUEST

- Special graduations see "How to order graduations" (see page 594)



TECHNICAL INFORMATION

- ISO-Fundamental Tolerances (see page A21)
- Stainless Steel characteristics (see page A26)

Applications

With these indexing mechanisms, shaft and lead screws can be turned and positioned in steps of 6° or multiples of it.

Description

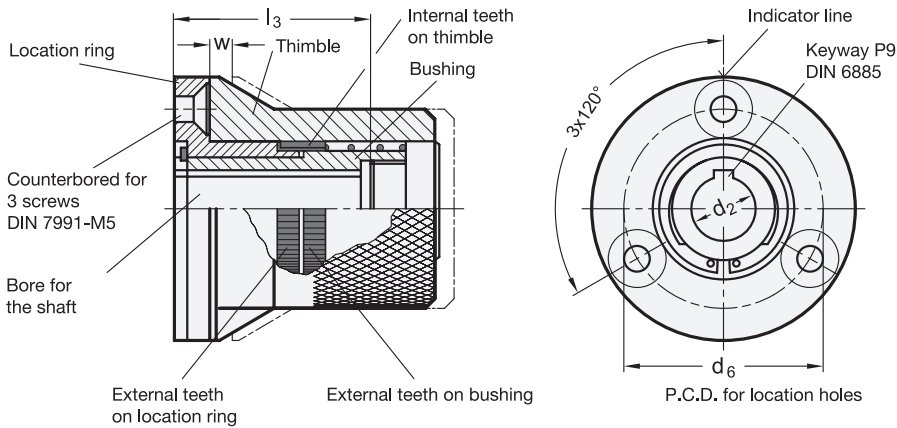
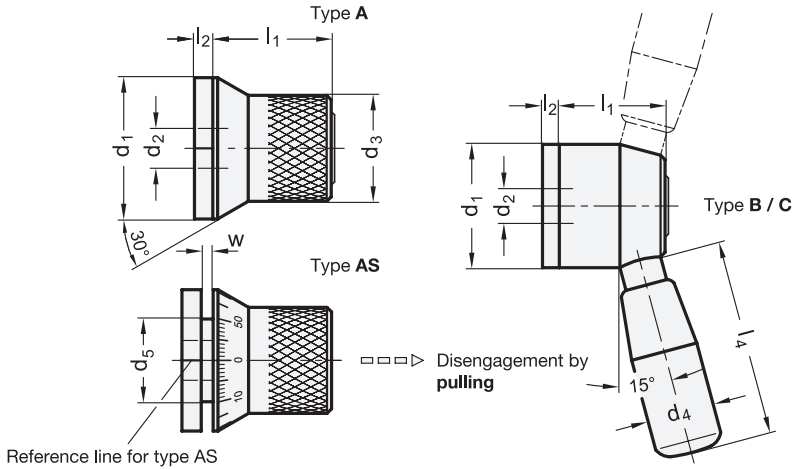
The indexing mechanism is a self-contained unit, all the adjusting and securing components are housed in the smallest possible space. The unit consists of three main parts:

- Bushing – can be connected to the shaft with a key or crossdowel.
- Location ring – is screwed and doweled to the machine or equipment. The bushing is also a bearing for the location ring.
- Knurled housing – providing engagement between the locating ring and the shaft which can be turned or positioned.

In the locked position, the knurled housing via the internal teeth (60) connects the locating ring and the bush (both via external teeth), the latter being connected to the shaft. To turn the shaft, the knurled housing is pulled out against the spring pressure, disengaging from the location ring, but still engaged with the bush.

More information

- With 60 teeth, the following divisions can be achieved: 2, 3, 4, 5, 6, 10, 20, 30. A simple method provides indexing of the shaft to limited number of positions only, i.e. every 120°. For this purpose, the location ring is manufactured with a dowel which allows engagement only when the bushing is provided with a corresponding hole (see assembly examples). This hole can be manufactured oversize as the dowel is for rough positioning only. Accurate positioning is maintained via the teeth. Knurled housing and tension levers can be supplied with scales and symbols. With teeth, a more accurate and wear-resistant indexing mechanism is obtained than with single dowel locations. When a very high torque is to be transmitted, engaging and disengaging of the teeth is made difficult due to the small clearance, i.e. the friction between them. In such cases, indexing levers GN 215 are recommended.



* Complete with type index of the indexing mechanisms (A, AS, B or C)

A Blackened, without scale **AS** Matt chrome plated, with scale **B** with 1 tension lever **C** with 2 tension levers

GN 200

Description	d1 -0.5	d2 H7	d3	d4	d5	d6	l1	l2	l3	l4	w	⚖️
GN 200-44-K10-*	44	K 10	33	23	23	33	37	6	31	75	4	309
GN 200-44-K12-*	44	K 12	33	23	23	33	37	6	31	75	4	300
GN 200-52-K12-*	52	K 12	42	26	31.5	41.8	37.5	6	31.5	90	4	478
GN 200-52-K14-*	52	K 14	42	26	31.5	41.8	37.5	6	31.5	90	4	467
GN 200-52-K16-*	52	K 16	42	26	31.5	41.8	37.5	6	31.5	90	4	455

* Complete with type index of the indexing mechanisms (A or AS)

A Blackened, without scale **AS** Matt chrome plated, with scale

GN 200-NI

STAINLESS STEEL

Description	d1 -0.5	d2 H7	d3	d5	d6	l1	l2	l3	w	⚖️
GN 200-44-K10-*-NI	44	K 10	33	23	33	37	6	31	4	309
GN 200-44-K12-*-NI	44	K 12	33	23	33	37	6	31	4	300
GN 200-52-K12-*-NI	52	K 12	42	31.5	41.8	37.5	6	31.5	4	478
GN 200-52-K14-*-NI	52	K 14	42	31.5	41.8	37.5	6	31.5	4	467
GN 200-52-K16-*-NI	52	K 16	42	31.5	41.8	37.5	6	31.5	4	455

Weight type A

