

Stainless Steel-Handwheels

AISI 304 (A2)

SPECIFICATION

Types

- Type **A**: without handle
- Type **D**: with revolving handle

Bore codes

- Version **B**: without keyway
- Version **K**: with keyway
- Version **V**: with square

Stainless Steel A2

- AISI 304
- matt shot-blasted
- Wheel body, pressed Stainless Steel
- Hub welded

Revolving handles

- Plastic, Duroplast, black, shiny finish
- Spindle Stainless Steel AISI 304



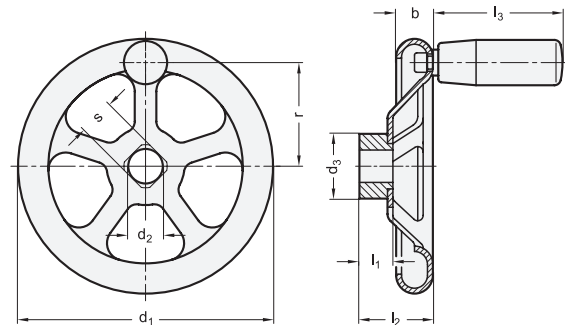
INFORMATION

The hub lengths of the pressed Stainless Steel-Handwheels GN 227.2 conform to DIN 950 (see page 140).

Stainless Steel-Handwheels GN 227.2 are renowned for their high mechanical strength. They are not affected by shock and knocks.

TECHNICAL INFORMATION

- Keyway P9 DIN 6885 (see page A16)
- Square DIN 79 (see page A16)
- Cross holes GN 110 (see page A17)
- ISO-Fundamental Tolerances (see page A21)
- Stainless Steel characteristics (see page A26)



*Complete with Bore codes of the Handwheel (B, K or V)

B without keyway **K** with keyway **V** with square

GN 227.2-A

STAINLESS STEEL

Description	d1	d2 H9	s H11	b	d3	l1	l2 ≈	No. of spokes	Thickness	△
GN 227.2-160-*12-A	160	12	V12	22	30	20	39	4	2	430
GN 227.2-200-*14-A	200	14	V14	22	40	24	44	4	2.5	824
GN 227.2-250-*17-A	250	17	V17	30	45	28	52	5	3	1477
GN 227.2-315-*19-A	315	19	V19	36	55	33	64	5	3	2330
GN 227.2-400-*24-A	400	24	V24	43	65	38	81	5	3	4210

GN 227.2-D

STAINLESS STEEL

Description	d1	d2 H9	s H11	b	d3	l1	l2 ≈	l3	r	Ø Handle	No. of spokes	Thickness	△
GN 227.2-160-*12-D	160	12	V12	22	30	20	39	83	68	26	4	2	530
GN 227.2-200-*14-D	200	14	V14	22	40	24	44	83	88	26	4	2.5	924
GN 227.2-250-*17-D	250	17	V17	30	45	28	52	93	108	28	5	3	1565
GN 227.2-315-*19-D	315	19	V19	36	55	33	64	93	138	28	5	3	2400
GN 227.2-400-*24-D	400	24	V24	43	65	38	81	93	178	28	5	3	4300

Weight type B

