

Swivel clamp linear actuator connectors

for linear actuators $\varnothing 18$

SPECIFICATION

Identification No.

No. **2**: with Stainless Steel-Clamping screw DIN 912

Aluminium
plastic coated
black, RAL 9005, textured finish **SW**

Guide bore mechanically machined

Slide bushing
Polyamide

Socket cap screw DIN 912
Stainless Steel AISI 304

Hexagon nuts DIN 985
Stainless Steel AISI 304



INFORMATION

GN 273.1 swivel clamp linear actuator connectors are normally supplied **mounted** only in connection with a linear actuator and for function control.

By means of the clamping screw on the guide bore d_1 the movement can either be set or the linear actuator connector can be clamped (after setting of final adjustment).

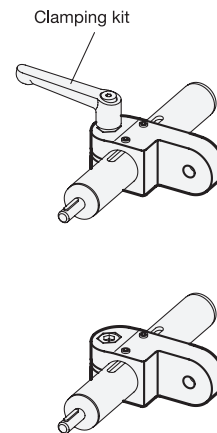
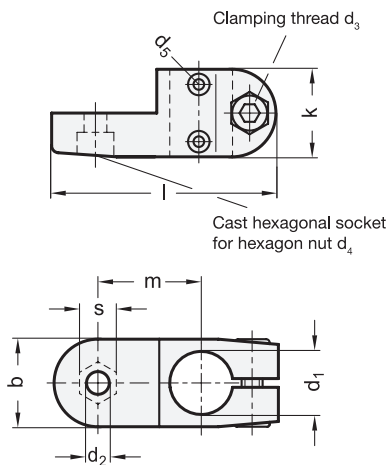
The standard version of the clamping screw is a socket cap screw with hexagonal socket DIN 912. It can be replaced by a clamping kit GN 911 (see page 1874) (article code see table of dimensions).

ACCESSORY

- Clamping kits GN 911 (see page 1874)

TECHNICAL INFORMATION

- Stainless Steel characteristics (see page A26)



GN 273.1

Description	d_1 Bore B without slide bushing	d_1 Bore G with slide bushing	b	d_2	d_3	d_4	d_5	k	l	m	s	Clamping kits for d_3	
GN 273.1-B18-2-SW	B 18	-	25	6.5	M 6	M 6	M 3	25	64	29.5	10	GN 911-M6-22	55
GN 273.1-G18-2-SW	-	G 18	25	6.5	M 6	M 6	M 3	25	64	29.5	10	GN 911-M6-22	53