

Swivel clamp connectors

Aluminium

SPECIFICATION

Identification No.

No. **2**: with Stainless Steel-clamping screw DIN 912

Types

- Type **OZ**: without centring step (smooth)
- Type **MZ**: with centring step
- Type **AV**: with male serration
- Type **IV**: with female serration

Aluminium

plastic coated

black RAL 9005, textured finish **SW**

blank **BL**

matt shot-blasted

Clamping bore mechanically machined

Socket cap screws DIN 912

Stainless Steel AISI 304

Hexagon nuts DIN 985

Stainless Steel AISI 304



INFORMATION

The clamping bore of the swivel clamp connectors GN 274 is mechanically machined and designed for construction tubes GN 990 (see page 1902) or DIN 2391, DIN 2395 and DIN 2462 respectively.

The standard version of the clamping screw is a socket cap screw with hexagonal socket DIN 912. It can be replaced by a clamping kit GN 911 (see page 1874) (article code see table of dimensions).

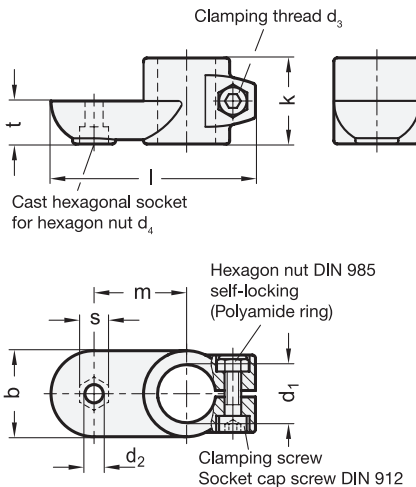
GN 274 swivel clamp connectors can be assembled with swivel clamp connectors GN 272 (see page 1848), GN 276 (see page 1852) or GN 278 (see page 1856) to create swivel clamp connector joints.

ACCESSORY

- Clamping kits GN 911 (see page 1874)

TECHNICAL INFORMATION

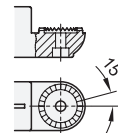
- Stainless Steel characteristics (see page A26)



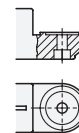
Type **OZ**



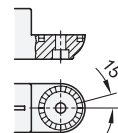
Type **AV**



Type **MZ**



Type **IV**



* Complete with colour index of the Swivel clamp connectors (SW or BL)

SW BL
RAL9005 blank

GN 274

Description	d1	b	d2	d3	d4	k	l	m	s	t	Clamping kits for d3	⚖️
GN 274-B20-OZ-2-*	B 20	40	8.5	M 8	M 8	40	95	43	13	20	GN 911-M8-32	190
GN 274-B25-OZ-2-*	B 25	40	8.5	M 8	M 8	40	95	43	13	20	GN 911-M8-32	164
GN 274-B30-OZ-2-*	B 30	40	8.5	M 8	M 8	40	95	43	13	20	GN 911-M8-32	150
GN 274-B40-OZ-2-*	B 40	65	10.5	M 10	M 10	65	148	70	17	32.5	GN 911-M10-55	710
GN 274-B42-OZ-2-*	B 42	65	10.5	M 10	M 10	65	148	70	17	32.5	GN 911-M10-55	685
GN 274-B45-OZ-2-*	B 45	65	10.5	M 10	M 10	65	148	70	17	32.5	GN 911-M10-55	650
GN 274-B48-OZ-2-*	B 48	65	10.5	M 10	M 10	65	148	70	17	32.5	GN 911-M10-55	610
GN 274-B50-OZ-2-*	B 50	65	10.5	M 10	M 10	65	148	70	17	32.5	GN 911-M10-55	585
GN 274-B20-MZ-2-*	B 20	40	8.5	M 8	M 8	40	95	43	13	20	GN 911-M8-32	190
GN 274-B25-MZ-2-*	B 25	40	8.5	M 8	M 8	40	95	43	13	20	GN 911-M8-32	170
GN 274-B30-MZ-2-*	B 30	40	8.5	M 8	M 8	40	95	43	13	20	GN 911-M8-32	150
GN 274-B40-MZ-2-*	B 40	65	10.5	M 10	M 10	65	148	70	17	32.5	GN 911-M10-55	700
GN 274-B42-MZ-2-*	B 42	65	10.5	M 10	M 10	65	148	70	17	32.5	GN 911-M10-55	690
GN 274-B45-MZ-2-*	B 45	65	10.5	M 10	M 10	65	148	70	17	32.5	GN 911-M10-55	655
GN 274-B48-MZ-2-*	B 48	65	10.5	M 10	M 10	65	148	70	17	32.5	GN 911-M10-55	615
GN 274-B50-MZ-2-*	B 50	65	10.5	M 10	M 10	65	148	70	17	32.5	GN 911-M10-55	585
GN 274-B20-AV-2-*	B 20	40	8.5	M 8	M 8	40	95	43	13	20	GN 911-M8-32	185
GN 274-B25-AV-2-*	B 25	40	8.5	M 8	M 8	40	95	43	13	20	GN 911-M8-32	170
GN 274-B30-AV-2-*	B 30	40	8.5	M 8	M 8	40	95	43	13	20	GN 911-M8-32	150
GN 274-B40-AV-2-*	B 40	65	10.5	M 10	M 10	65	148	70	17	32.5	GN 911-M10-55	710
GN 274-B42-AV-2-*	B 42	65	10.5	M 10	M 10	65	148	70	17	32.5	GN 911-M10-55	690
GN 274-B45-AV-2-*	B 45	65	10.5	M 10	M 10	65	148	70	17	32.5	GN 911-M10-55	655
GN 274-B48-AV-2-*	B 48	65	10.5	M 10	M 10	65	148	70	17	32.5	GN 911-M10-55	620
GN 274-B50-AV-2-*	B 50	65	10.5	M 10	M 10	65	148	70	17	32.5	GN 911-M10-55	585
GN 274-B20-IV-2-*	B 20	40	8.5	M 8	M 8	40	95	43	13	20	GN 911-M8-32	180
GN 274-B25-IV-2-*	B 25	40	8.5	M 8	M 8	40	95	43	13	20	GN 911-M8-32	160
GN 274-B30-IV-2-*	B 30	40	8.5	M 8	M 8	40	95	43	13	20	GN 911-M8-32	160
GN 274-B40-IV-2-*	B 40	65	10.5	M 10	M 10	65	148	70	17	32.5	GN 911-M10-55	690
GN 274-B42-IV-2-*	B 42	65	10.5	M 10	M 10	65	148	70	17	32.5	GN 911-M10-55	665
GN 274-B45-IV-2-*	B 45	65	10.5	M 10	M 10	65	148	70	17	32.5	GN 911-M10-55	635
GN 274-B48-IV-2-*	B 48	65	10.5	M 10	M 10	65	148	70	17	32.5	GN 911-M10-55	600
GN 274-B50-IV-2-*	B 50	65	10.5	M 10	M 10	65	148	70	17	32.5	GN 911-M10-55	570

Weight BL

