

Spring bolts

Steel / Stainless Steel, Pin retracted in normal position

SPECIFICATION

Types

- Type **A**: with knob, without lock nut
- Type **AK**: with knob, with lock nut
- Type **D**: without knob, without lock nut
- Type **DK**: without knob, with lock nut

Identification no.

- Version **1**: Plunger without internal thread
- Version **2**: Plunger with internal thread

Guide (Threaded socket)

Steel **ST**
blackened

Guide (Threaded socket)

Stainless Steel AISI 303 **NI**

Pin

Stainless Steel

- AISI 303
- chemically nickel plated

Knob

Plastic (Polyamide PA)

- black, matt
- not removable

INFORMATION

The pin of the spring bolts GN 313 does not protrude in the inoperative position.

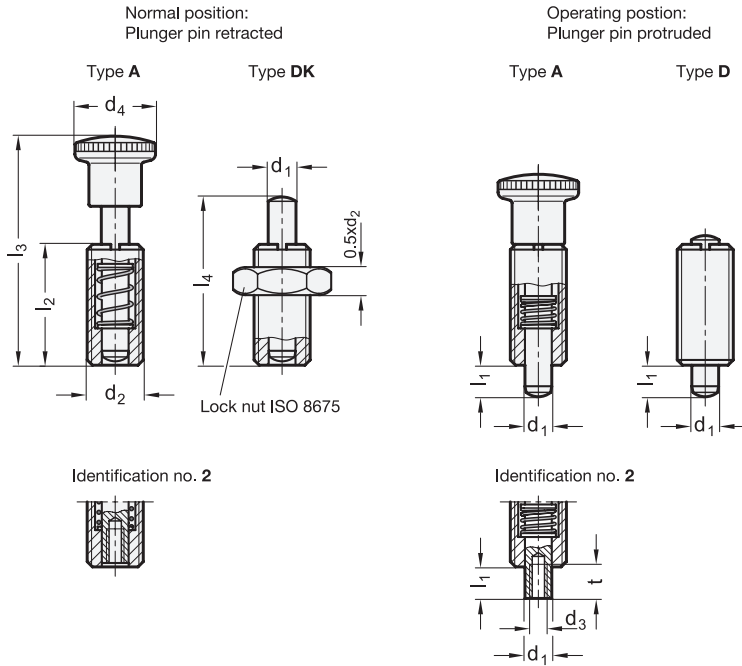
It can be operated manually or in Type D and DK mechanically (pneumatic cylinder, cam plate, etc.) when it will protrude only as long as it is operated.

Using the internal thread at identification 2 on the pressure side, special pressure bolts or a rod arrangement can be operated, for instance.

TECHNICAL INFORMATION

- ISO-Fundamental Tolerances (see page A21)
- Stainless Steel characteristics (see page A26)
- Plastic characteristics (see page A2)
- Load rating information (see page A42)





*Complete with type index of the Indexing plungers (A, AK, D or DK)

A AK D DK

GN 313

Description	d1 Pin -0.02/-0.05 Bore H7	d2	d3	d4	l1	l2	l3 ≈	l4 ≈	t min.	Spring load in N initial	Spring load in N ≈ load in N ≈ end	⚖
GN 313-5-*1-ST	5	M 10 x 1	-	16	6	22	42	29	-	8	20	13
GN 313-6-*1-ST	6	M 12 x 1.5	-	19	7	26	49	35	-	9	28	21
GN 313-8-*1-ST	8	M 16 x 1.5	-	23	9	34	65	48	-	12	40	48
GN 313-10-*1-ST	10	M 20 x 1.5	-	28	11	43	78	57	-	22	50	98
GN 313-5-*2-ST	5	M 10 x 1	M 3	16	6	22	42	29	7	8	20	13
GN 313-6-*2-ST	6	M 12 x 1.5	M 4	19	7	26	49	35	7	9	28	20
GN 313-8-*2-ST	8	M 16 x 1.5	M 5	23	9	34	65	48	9	12	40	47
GN 313-10-*2-ST	10	M 20 x 1.5	M 6	28	11	43	78	57	12	22	50	75

GN 313-NI

STAINLESS STEEL

Description	d1 Pin -0.02/-0.05 Bore H7	d2	d3	d4	l1	l2	l3 ≈	l4 ≈	t min.	Spring load in N initial	Spring load in N ≈ load in N ≈ end	⚖
GN 313-5-*1-NI	5	M 10 x 1	-	16	6	22	42	29	-	7	18	13
GN 313-6-*1-NI	6	M 12 x 1.5	-	19	7	26	49	35	-	8	21	21
GN 313-8-*1-NI	8	M 16 x 1.5	-	23	9	34	65	48	-	11	32	48
GN 313-10-*1-NI	10	M 20 x 1.5	-	28	11	43	78	57	-	18	43	100
GN 313-5-*2-NI	5	M 10 x 1	M 3	16	6	22	42	29	7	7	18	13
GN 313-6-*2-NI	6	M 12 x 1.5	M 4	19	7	26	49	35	7	8	21	21
GN 313-8-*2-NI	8	M 16 x 1.5	M 5	23	9	34	65	48	9	11	32	47
GN 313-10-*2-NI	10	M 20 x 1.5	M 6	28	11	43	78	57	12	18	43	65

Weight type A



80

Indexing elements