

Cam action indexing plungers

Steel / Stainless Steel, for welding

SPECIFICATION

Types

- Type **A**: without plastic cover
- Type **B**: with plastic cover

Version in Steel

- Guide blackened, weldable
- Pin nitrided

Version Stainless Steel NI

- Guide, weldable AISI 304
- Pin AISI 303

Spring

Stainless Steel AISI 301

Plastic cover (Polyamide PA)
black, matt



INFORMATION

Cam action indexing plungers GN 612.3 are used in cases where the locking pin must not protrude all the time. By rotating the lock through 180° the locking pin withdraws itself. A groove keeps the plunger in this position.

The square body can therefore be welded in any required position. In order to prevent a change in the spring load by the transferred heat we recommend spot welding the plunger body.

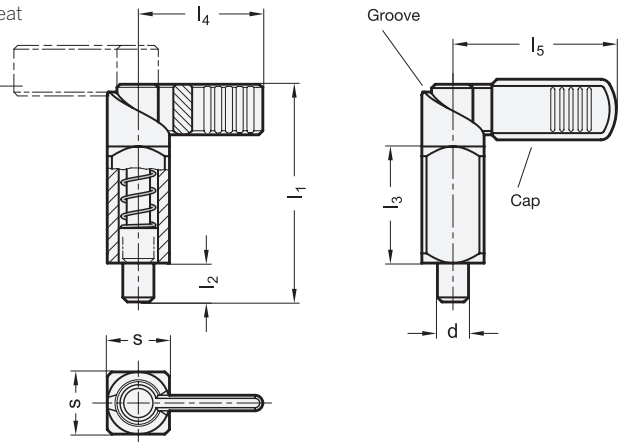
- Range of cam action indexing plungers (see page 816)

TECHNICAL INFORMATION

- ISO-Fundamental Tolerances (see page A21)
- Stainless Steel characteristics (see page A26)
- Plastic characteristics (see page A2)
- Load rating information (see page A42)

* Complete with type index of the Cam action indexing plungers (A or B)

A without plastic cover **B** with plastic cover



GN 612.3

Description	d Pin -0.02/-0.04 Bore +0.14/+0.1	s	l1	l2	l3	l4	l5	Spring load in N ≈ initial	Spring load in N ≈ end	⚖
GN 612.3-6-16-*	6	16	56	10	30	32	42	12	32	76
GN 612.3-8-16-*	8	16	56	10	30	32	42	12	32	79
GN 612.3-8-20-*	8	20	69	12	38	37	52	21	58	151
GN 612.3-10-16-*	10	16	56	10	30	32	42	12	32	80
GN 612.3-10-20-*	10	20	69	12	38	37	52	21	58	153
GN 612.3-12-20-*	12	20	69	12	38	37	52	21	58	158

GN 612.3-NI

STAINLESS STEEL

Description	d Pin -0.02/-0.04 Bore +0.14/+0.1	s	l1	l2	l3	l4	l5	Spring load in N ≈ initial	Spring load in N ≈ end	⚖
GN 612.3-6-16-**-NI	6	16	56	10	30	32	42	12	32	76
GN 612.3-8-16-**-NI	8	16	56	10	30	32	42	12	32	76
GN 612.3-8-20-**-NI	8	20	69	12	38	37	52	21	58	151
GN 612.3-10-16-**-NI	10	16	56	10	30	32	42	12	32	76
GN 612.3-10-20-**-NI	10	20	69	12	38	37	52	21	58	153
GN 612.3-12-20-**-NI	12	20	69	12	38	37	52	21	58	158

