

## Threaded shaft collars

Steel / Stainless Steel

### SPECIFICATION

#### Version in Steel

Steel **ST**

Sintered Steel (Distaloy AB)  
black oxidised with vapor

Socket head cap screw DIN 912  
Steel, phosphated

#### Version in Stainless Steel

Stainless Steel (Sintered Steel) **NI**

AISI 316L

Socket head cap screw DIN 912  
Stainless Steel AISI 304

### INFORMATION

Threaded shaft collars GN 706.3 can be used in connection with bolt thread tolerance 6g. After clamping, the thread of the semi-split shaft collar may no longer be tolerance-stable (6H).

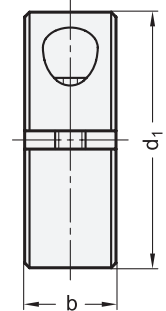
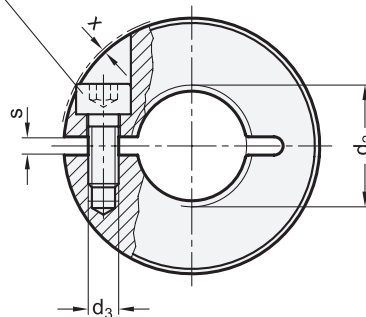
The thread  $d_3$  for sizes  $d_1 = 20$  to 32 is designed as a through hole, from size  $d_1 = 42$  it is designed as blind hole.

### TECHNICAL INFORMATION

- Metric ISO thread (see page A19)
- Metric ISO fine thread (see page A21)
- Stainless Steel characteristics (see page A26)



Socket cap screw DIN 912



\* Complete with material index of the Threaded shaft collars (ST or NI)

ST	NI
Steel	Stainless Steel

### GN 706.3

STAINLESS STEEL

Description	$d_1$	$d_2$ 6H	b	$d_3$	s	x ≈ Max. protrusion of cap thread	⚖
GN 706.3-20-M8-*	20	M 8	9	M 3	2.1	1	15
GN 706.3-20-M8x1-*	20	M 8 x 1	9	M 3	2.1	1	16
GN 706.3-22-M10-*	22	M 10	9	M 3	2.1	0.8	14
GN 706.3-22-M10x1-*	22	M 10 x 1	9	M 3	2.1	0.8	18
GN 706.3-26-M12-*	26	M 12	11	M 4	2.1	1.6	31
GN 706.3-26-M12x1,5-*	26	M 12 x 1.5	11	M 4	2.1	1.6	31
GN 706.3-32-M16-*	32	M 16	11	M 4	2.1	0.7	42
GN 706.3-32-M16x1,5-*	32	M 16 x 1.5	11	M 4	2.1	0.7	43
GN 706.3-42-M20-*	42	M 20	15	M 5	3	0.6	106
GN 706.3-42-M20x1,5-*	42	M 20 x 1.5	15	M 5	3	0.6	105
GN 706.3-48-M24x1,5-*	48	M 24 x 1.5	15	M 5	3	0	134
GN 706.3-55-M30x1,5-*	55	M 30 x 1.5	15	M 6	3	0.4	165

Weight ST