

Stainless Steel-Gripping trays

Screw-in type

SPECIFICATION

Types

- Type **A**: Mounting from the operator's side (for identification no. 2 with four countersunk sealing screws)
- Type **C**: Mounting from the back

Identification no.

- No. **1**: without sealing
- No. **2**: with sealing

Stainless Steel AISI 304
matte shot-blasted **GS**
electropolished **EP**

Housing seal (Identification no. 2)

- Rubber NBR, black
- glued

Countersunk sealing screws
(Type A, Identification no. 2)
DIN 7991 M5x16

- Stainless Steel A2
- Polyamide coating on head

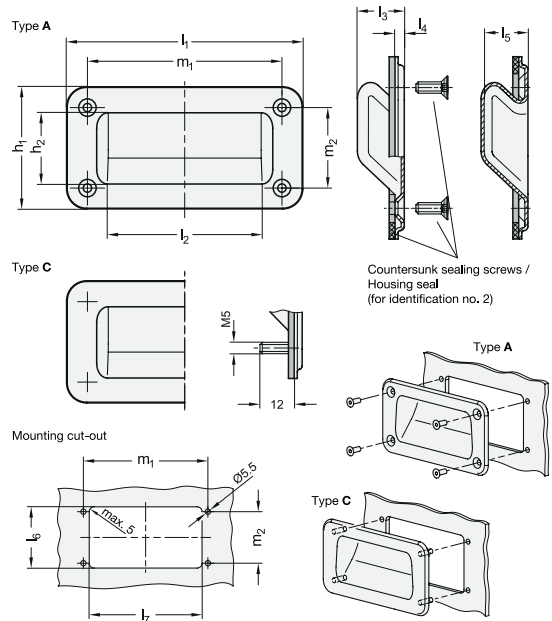
INFORMATION

Stainless Steel-Gripping trays GN 7332 can be easily and quickly installed from the front using countersunk screws or from the back with grub screws. Stainless Steel-Gripping trays with housing seal (no. 2) prevent the penetration of any dirt or liquids into the housing interior. Type A is supplied with four additional countersunk sealing screws, which feature a polyamide coating on the head to create a tight seal.



TECHNICAL INFORMATION

- Stainless Steel characteristics (see page A26)



GN 7332

STAINLESS STEEL

Description	l1	h1	h2	l2	l3	l4	l5	l6 +1	l7 +1	m1	m2	Δ
GN 7332-155-A-1-GS	155	80	42	109	20	3.5	19.2	60	115	128	53	90
GN 7332-155-A-1-EP	155	80	42	109	20	3.5	19.2	60	115	128	53	90
GN 7332-155-A-2-GS	155	80	42	109	20	3.5	19.2	60	115	128	53	101
GN 7332-155-A-2-EP	155	80	42	109	20	3.5	19.2	60	115	128	53	101
GN 7332-155-C-1-GS	155	80	42	109	20	3.5	19.2	60	115	128	53	99
GN 7332-155-C-1-EP	155	80	42	109	20	3.5	19.2	60	115	128	53	99
GN 7332-155-C-2-GS	155	80	42	109	20	3.5	19.2	60	115	128	53	104
GN 7332-155-C-2-EP	155	80	42	109	20	3.5	19.2	60	115	128	53	104

