

## Oil level sight glasses for high temperatures

**Technopolymer with high chemical resistance also suitable for solutions with glycol**

### MATERIAL

Transparent technopolymer with a sulfonic base and therefore with a slightly bronzed colour.

The window consists of a continuous series of prisms which provide a clear and immediate reading of the level of the oil contained in the reservoir.

### PACKING RING

Green FKM flat washer.

Due to the special composition there is minimal creep; even under the action of the tightening torque, the gasket remains in shape, always ensuring an optimal seal.

### CONTINUOUS WORKING TEMPERATURE

- Min. -40°C
- Max. +150°C (resistance even at peaks of +180°C).

### TECHNICAL DATA

The tightening torque recommended in the table guarantees an optimal seal, even at temperatures +150°C.

It can also be used for tanks containing water or water/glycol solutions (up to 50%).

The impact resistance value L2 shown in the table was detected with impact tests in the centre of the window at room temperature.

In laboratory tests carried out with mineral oil type CB68 (according to ISO 3498), the sight glasses maintained a perfect seal at a maximum pressure of 1 bar at a continuous temperature of +150°C. The maximum working pressure increases with the decreasing of the temperature.

### NOTE

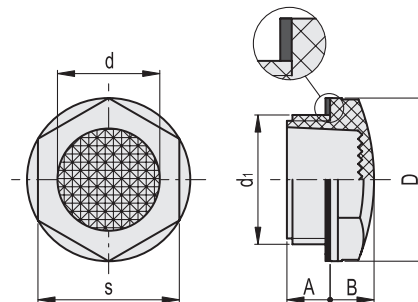
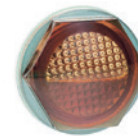
For use with other fluids with special additives, please contact ELESAs Sales Department.

### ACCESSORIES ON REQUEST

Nickel-plated brass nut type GH. for fitting to reservoirs with wall thickness smaller than 5 mm.



ELESAs Original design



Code	Description	d <sub>1</sub>	A	B	D	d	s	Tightening torque [Nm]	L2 [J]	⚖️
13663	HFTX.11-HT-GL-FKM-M16x1.5	M16x1.5	8	7	22	11	19	3÷5	8	3.5
13683	HFTX.14-HT-GL-FKM-M20x1.5	M20x1.5	10	8	26	14.5	22	4÷6	8	5
13729	HFTX.21-HT-GL-FKM-M26x1.5	M26x1.5	13	9	31.5	20.5	27	6÷8	15	7
13653	HFTX.9-HT-GL-FKM-1/4	G 1/4	10	6	18	9	15	2÷3	8	3
13673	HFTX.12-HT-GL-FKM-3/8	G 3/8	7.5	7	22	11	19	3÷5	8	4
13693	HFTX.15-HT-GL-FKM-1/2	G 1/2	10.5	8	26	14	22	4÷6	8	5
13723	HFTX.20-HT-GL-FKM-3/4	G 3/4	10.5	9	31.5	20	27	6÷8	15	8
13743	HFTX.24-HT-GL-FKM-1	G 1	11	10	40	25	34	8÷10	16	12
13763	HFTX.30-HT-GL-FKM-1¼	G1 1/4	11.5	13	47	30	40.5	8÷10	20	20