

Adjustable feet

Visually Detectable technopolymer base, stainless steel stem

BASE

Glass-fibre reinforced polyamide based (PA) technopolymer, RAL 5005 blue colour, matte finish.

Produced from FDA compliant raw material (FDA CFR.21 and EU 10/2011).

ARTICULATED STEM

Threaded AISI 304 stainless steel with regulation hexagon.

STANDARD EXECUTIONS

- **LS.A-SST-VD**: without no-slip disk.
- **LS.A-AS-SST-VD**: with NBR rubber no-slip disk, hardness 70 Shore A, supplied assembled to the base.

FEATURES AND APPLICATIONS

The RAL 5005 blue colour is easily visible in case of accidental food contamination.

The particular assembling system of the no-slip disk to the base assures a perfect anchoring, preventing separation even in case of impact during transport or of adhesion (sticking) to the floor (see No-slip disk).

ORDER INFORMATION

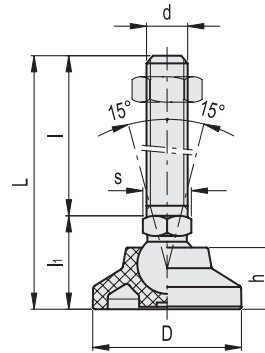
The levelling feet are supplied unassembled to make carriage and storage easier. The components (base and stem) are supplied in separate packing: less volume taken and better protection from scratches and dirt.

To order bases and stems separately, see:

- table of possible combinations Bases/Stems
- the codes of the Bases
- the codes of the Stems.



ELESA Original design



LS.A-SST-VD

STAINLESS STEEL

Code	Description	D	d	L	l	li	h	s	Articulation Ø	Max. limit static load* [N]	⚖️
187101	LS.A-25-14-SST-M8x43-VD	25	M8	67	43	24	12	14	14	7000	33
187103	LS.A-25-14-SST-M8x68-VD	25	M8	92	68	24	12	14	14	7000	43
187111	LS.A-25-14-SST-M10x43-VD	25	M10	67	43	24	12	14	14	7000	43
187113	LS.A-25-14-SST-M10x68-VD	25	M10	92	68	24	12	14	14	7000	56
187115	LS.A-25-14-SST-M10x98-VD	25	M10	122	98	24	12	14	14	7000	70
187121	LS.A-25-14-SST-M12x43-VD	25	M12	67	43	24	12	14	14	7000	53
187123	LS.A-25-14-SST-M12x68-VD	25	M12	92	68	24	12	14	14	7000	71
187125	LS.A-25-14-SST-M12x98-VD	25	M12	122	98	24	12	14	14	7000	93
187131	LS.A-25-14-SST-M14x68-VD	25	M14	92	68	24	12	14	14	7000	86
187133	LS.A-25-14-SST-M14x98-VD	25	M14	122	98	24	12	14	14	7000	107
187135	LS.A-25-14-SST-M14x148-VD	25	M14	172	148	24	12	14	14	7000	190
187141	LS.A-25-14-SST-M16x68-VD	25	M16	92	68	24	12	16	14	7000	116
187143	LS.A-25-14-SST-M16x108-VD	25	M16	132	108	24	12	16	14	7000	167
187145	LS.A-25-14-SST-M16x148-VD	25	M16	172	148	24	12	16	14	7000	220
187147	LS.A-25-14-SST-M16x168-VD	25	M16	192	168	24	12	16	14	7000	247
187201	LS.A-32-14-SST-M8x43-VD	32	M8	68	43	25	15	14	14	9000	38
187203	LS.A-32-14-SST-M8x68-VD	32	M8	93	68	25	15	14	14	9000	48
187211	LS.A-32-14-SST-M10x43-VD	32	M10	68	43	25	15	14	14	9000	48
187213	LS.A-32-14-SST-M10x68-VD	32	M10	93	68	25	15	14	14	9000	61
187215	LS.A-32-14-SST-M10x98-VD	32	M10	123	98	25	15	14	14	9000	75
187221	LS.A-32-14-SST-M12x43-VD	32	M12	68	43	25	15	14	14	9000	58
187223	LS.A-32-14-SST-M12x68-VD	32	M12	93	68	25	15	14	14	9000	78
187225	LS.A-32-14-SST-M12x98-VD	32	M12	123	98	25	15	14	14	9000	98

* The max static load is the value above which the load applied to the element may cause some plastic material breakage, in particular conditions of use. Obviously, a factor that takes into consideration the importance and the safety level of the specific application must be applied to this value.

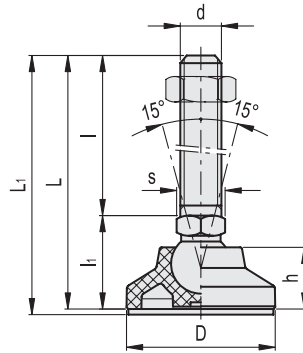
LS.A-SST-VD

STAINLESS STEEL

Code	Description	D	d	L	l	li	h	s	Articulation Ø	Max. limit static load* [N]	⚖️
187231	LS.A-32-14-SST-M14x68-VD	32	M14	93	68	25	15	14	14	9000	95
187233	LS.A-32-14-SST-M14x98-VD	32	M14	123	98	25	15	14	14	9000	116
187235	LS.A-32-14-SST-M14x148-VD	32	M14	173	148	25	15	14	14	9000	199
187241	LS.A-32-14-SST-M16x68-VD	32	M16	93	68	25	15	16	14	9000	121
187243	LS.A-32-14-SST-M16x108-VD	32	M16	133	108	25	15	16	14	9000	175
187245	LS.A-32-14-SST-M16x148-VD	32	M16	173	148	25	15	16	14	9000	228
187247	LS.A-32-14-SST-M16x168-VD	32	M16	193	168	25	15	16	14	9000	255
187301	LS.A-40-14-SST-M8x43-VD	40	M8	68	43	25	17	14	14	13000	42
187303	LS.A-40-14-SST-M8x68-VD	40	M8	93	68	25	17	14	14	13000	52
187311	LS.A-40-14-SST-M10x43-VD	40	M10	68	43	25	17	14	14	13000	52
187313	LS.A-40-14-SST-M10x68-VD	40	M10	93	68	25	17	14	14	13000	65
187315	LS.A-40-14-SST-M10x98-VD	40	M10	123	98	25	17	14	14	13000	79
187321	LS.A-40-14-SST-M12x43-VD	40	M12	68	43	25	17	14	14	13000	62
187323	LS.A-40-14-SST-M12x68-VD	40	M12	93	68	25	17	14	14	13000	80
187325	LS.A-40-14-SST-M12x98-VD	40	M12	123	98	25	17	14	14	13000	102
187331	LS.A-40-14-SST-M14x68-VD	40	M14	93	68	25	17	14	14	13000	95
187333	LS.A-40-14-SST-M14x98-VD	40	M14	123	98	25	17	14	14	13000	116
187335	LS.A-40-14-SST-M14x148-VD	40	M14	173	148	25	17	14	14	13000	199
187341	LS.A-40-14-SST-M16x68-VD	40	M16	93	68	25	17	16	14	13000	125
187343	LS.A-40-14-SST-M16x108-VD	40	M16	133	108	25	17	16	14	13000	179
187345	LS.A-40-14-SST-M16x148-VD	40	M16	173	148	25	17	16	14	13000	232
187347	LS.A-40-14-SST-M16x168-VD	40	M16	193	168	25	17	16	14	13000	259
187401	LS.A-50-14-SST-M8x43-VD	50	M8	70	43	27	19	14	14	13000	49
187403	LS.A-50-14-SST-M8x68-VD	50	M8	95	68	27	19	14	14	13000	59
187411	LS.A-50-14-SST-M10x43-VD	50	M10	70	43	27	19	14	14	13000	59
187413	LS.A-50-14-SST-M10x68-VD	50	M10	95	68	27	19	14	14	13000	72
187415	LS.A-50-14-SST-M10x98-VD	50	M10	125	98	27	19	14	14	13000	86
187421	LS.A-50-14-SST-M12x43-VD	50	M12	70	43	27	19	14	14	13000	69
187423	LS.A-50-14-SST-M12x68-VD	50	M12	95	68	27	19	14	14	13000	87
187425	LS.A-50-14-SST-M12x98-VD	50	M12	125	98	27	19	14	14	13000	109
187431	LS.A-50-14-SST-M14x68-VD	50	M14	95	68	27	19	14	14	13000	102
187433	LS.A-50-14-SST-M14x98-VD	50	M14	125	98	27	19	14	14	13000	123
187435	LS.A-50-14-SST-M14x148-VD	50	M14	175	148	27	19	14	14	13000	206
187441	LS.A-50-14-SST-M16x68-VD	50	M16	95	68	27	19	16	14	13000	132
187443	LS.A-50-14-SST-M16x108-VD	50	M16	135	108	27	19	16	14	13000	185
187445	LS.A-50-14-SST-M16x148-VD	50	M16	175	148	27	19	16	14	13000	239
187447	LS.A-50-14-SST-M16x168-VD	50	M16	195	168	27	19	16	14	13000	266
187501	LS.A-60-14-SST-M8x43-VD	60	M8	76	43	33	24	14	14	14000	64
187503	LS.A-60-14-SST-M8x68-VD	60	M8	101	68	33	24	14	14	14000	76
187511	LS.A-60-14-SST-M10x43-VD	60	M10	76	43	33	24	14	14	14000	73
187513	LS.A-60-14-SST-M10x68-VD	60	M10	101	68	33	24	14	14	14000	86
187515	LS.A-60-14-SST-M10x98-VD	60	M10	131	98	33	24	14	14	14000	100
187521	LS.A-60-14-SST-M12x43-VD	60	M12	76	43	33	24	14	14	14000	83
187523	LS.A-60-14-SST-M12x68-VD	60	M12	101	68	33	24	14	14	14000	101
187525	LS.A-60-14-SST-M12x98-VD	60	M12	131	98	33	24	14	14	14000	123
187531	LS.A-60-14-SST-M14x68-VD	60	M14	101	68	33	24	14	14	14000	124
187533	LS.A-60-14-SST-M14x98-VD	60	M14	131	98	33	24	14	14	14000	145
187535	LS.A-60-14-SST-M14x148-VD	60	M14	181	148	33	24	14	14	14000	228
187541	LS.A-60-14-SST-M16x68-VD	60	M16	101	68	33	24	16	14	14000	146
187543	LS.A-60-14-SST-M16x108-VD	60	M16	141	108	33	24	16	14	14000	200
187545	LS.A-60-14-SST-M16x148-VD	60	M16	181	148	33	24	16	14	14000	253
187547	LS.A-60-14-SST-M16x168-VD	60	M16	201	168	33	24	16	14	14000	280
187551	LS.A-60-24-SST-M16x58-VD	60	M16	101	58	43	24	24	24	18000	209
187553	LS.A-60-24-SST-M16x98-VD	60	M16	141	98	43	24	24	24	18000	262
187555	LS.A-60-24-SST-M16x138-VD	60	M16	181	138	43	24	24	24	18000	313
187557	LS.A-60-24-SST-M16x158-VD	60	M16	201	158	43	24	24	24	18000	341
187561	LS.A-60-24-SST-M20x98-VD	60	M20	141	98	43	24	24	24	18000	334
187563	LS.A-60-24-SST-M20x138-VD	60	M20	181	138	43	24	24	24	18000	415
187565	LS.A-60-24-SST-M20x158-VD	60	M20	201	158	43	24	24	24	18000	455
187567	LS.A-60-24-SST-M20x198-VD	60	M20	241	198	43	24	24	24	18000	541
187571	LS.A-60-24-SST-M24x98-VD	60	M24	141	98	43	24	24	24	18000	435
187573	LS.A-60-24-SST-M24x158-VD	60	M24	201	158	43	24	24	24	18000	612
187575	LS.A-60-24-SST-M24x198-VD	60	M24	241	198	43	24	24	24	18000	734

* The max static load is the value above which the load applied to the element may cause some plastic material breakage, in particular conditions of use. Obviously, a factor that takes into consideration the importance and the safety level of the specific application must be applied to this value.





LS.A-AS-SST-VD

STAINLESS STEEL

Code	Description	D	d	L	L ₁	l	l ₁	h	s	Articulation Ø	Max. limit static load* [N]	
188101	LS.A-25-14-AS-SST-M8x43-VD	25	M8	67	70	43	24	12	14	14	7000	35
188103	LS.A-25-14-AS-SST-M8x68-VD	25	M8	92	95	68	24	12	14	14	7000	45
188111	LS.A-25-14-AS-SST-M10x43-VD	25	M10	67	70	43	24	12	14	14	7000	45
188113	LS.A-25-14-AS-SST-M10x68-VD	25	M10	92	95	68	24	12	14	14	7000	58
188115	LS.A-25-14-AS-SST-M10x98-VD	25	M10	122	125	98	24	12	14	14	7000	72
188121	LS.A-25-14-AS-SST-M12x43-VD	25	M12	67	70	43	24	12	14	14	7000	55
188123	LS.A-25-14-AS-SST-M12x68-VD	25	M12	92	95	68	24	12	14	14	7000	73
188125	LS.A-25-14-AS-SST-M12x98-VD	25	M12	122	125	98	24	12	14	14	7000	95
188131	LS.A-25-14-AS-SST-M14x68-VD	25	M14	92	95	68	24	12	14	14	7000	88
188133	LS.A-25-14-AS-SST-M14x98-VD	25	M14	122	125	98	24	12	14	14	7000	109
188135	LS.A-25-14-AS-SST-M14x148-VD	25	M14	172	175	148	24	12	14	14	7000	192
188141	LS.A-25-14-AS-SST-M16x68-VD	25	M16	92	95	68	24	12	16	14	7000	118
188143	LS.A-25-14-AS-SST-M16x108-VD	25	M16	132	135	108	24	12	16	14	7000	169
188145	LS.A-25-14-AS-SST-M16x148-VD	25	M16	172	175	148	24	12	16	14	7000	222
188147	LS.A-25-14-AS-SST-M16x168-VD	25	M16	192	195	168	24	12	16	14	7000	249
188201	LS.A-32-14-AS-SST-M8x43-VD	32	M8	68	71	43	25	15	14	14	9000	42
188203	LS.A-32-14-AS-SST-M8x68-VD	32	M8	93	96	68	25	15	14	14	9000	52
188211	LS.A-32-14-AS-SST-M10x43-VD	32	M10	68	71	43	25	15	14	14	9000	52
188213	LS.A-32-14-AS-SST-M10x68-VD	32	M10	93	96	68	25	15	14	14	9000	65
188215	LS.A-32-14-AS-SST-M10x98-VD	32	M10	123	126	98	25	15	14	14	9000	79
188221	LS.A-32-14-AS-SST-M12x43-VD	32	M12	68	71	43	25	15	14	14	9000	62
188223	LS.A-32-14-AS-SST-M12x68-VD	32	M12	93	96	68	25	15	14	14	9000	82
188225	LS.A-32-14-AS-SST-M12x98-VD	32	M12	123	126	98	25	15	14	14	9000	102
188231	LS.A-32-14-AS-SST-M14x68-VD	32	M14	93	96	68	25	15	14	14	9000	99
188233	LS.A-32-14-AS-SST-M14x98-VD	32	M14	123	126	98	25	15	14	14	9000	120
188235	LS.A-32-14-AS-SST-M14x148-VD	32	M14	173	176	148	25	15	14	14	9000	203
188241	LS.A-32-14-AS-SST-M16x68-VD	32	M16	93	97	68	25	15	16	14	9000	125
188243	LS.A-32-14-AS-SST-M16x108-VD	32	M16	133	137	108	25	15	16	14	9000	179
188245	LS.A-32-14-AS-SST-M16x148-VD	32	M16	173	176	148	25	15	16	14	9000	232
188247	LS.A-32-14-AS-SST-M16x168-VD	32	M16	193	196	168	25	15	16	14	9000	259

* The max static load is the value above which the load applied to the element may cause some plastic material breakage, in particular conditions of use. Obviously, a factor that takes into consideration the importance and the safety level of the specific application must be applied to this value.



Levelling elements 11

LS.A-AS-SST-VD

STAINLESS STEEL

Code	Description	D	d	L	L ₁	l	l ₁	h	s	Articulation Ø	Max. limit static load* [N]	⚖️
188301	LS.A-40-14-AS-SST-M8x43-VD	40	M8	68	71	43	25	17	14	14	13000	49
188303	LS.A-40-14-AS-SST-M8x68-VD	40	M8	93	96	68	25	17	14	14	13000	59
188311	LS.A-40-14-AS-SST-M10x43-VD	40	M10	68	71	43	25	17	14	14	13000	59
188313	LS.A-40-14-AS-SST-M10x68-VD	40	M10	93	96	68	25	17	14	14	13000	72
188315	LS.A-40-14-AS-SST-M10x98-VD	40	M10	123	126	98	25	17	14	14	13000	86
188321	LS.A-40-14-AS-SST-M12x43-VD	40	M12	68	71	43	25	17	14	14	13000	69
188323	LS.A-40-14-AS-SST-M12x68-VD	40	M12	93	96	68	25	17	14	14	13000	87
188325	LS.A-40-14-AS-SST-M12x98-VD	40	M12	123	126	98	25	17	14	14	13000	109
188331	LS.A-40-14-AS-SST-M14x68-VD	40	M14	93	96	68	25	17	14	14	13000	102
188333	LS.A-40-14-AS-SST-M14x98-VD	40	M14	123	126	98	25	17	14	14	13000	123
188335	LS.A-40-14-AS-SST-M14x148-VD	40	M14	173	176	148	25	17	14	14	13000	206
188341	LS.A-40-14-AS-SST-M16x68-VD	40	M16	93	96	68	25	17	16	14	13000	132
188343	LS.A-40-14-AS-SST-M16x108-VD	40	M16	133	136	108	25	17	16	14	13000	186
188345	LS.A-40-14-AS-SST-M16x148-VD	40	M16	173	176	148	25	17	16	14	13000	239
188347	LS.A-40-14-AS-SST-M16x168-VD	40	M16	193	196	168	25	17	16	14	13000	266
188401	LS.A-50-14-AS-SST-M8x43-VD	50	M8	70	73	43	27	19	14	14	13000	61
188403	LS.A-50-14-AS-SST-M8x68-VD	50	M8	95	98	68	27	19	14	14	13000	71
188411	LS.A-50-14-AS-SST-M10x43-VD	50	M10	70	73	43	27	19	14	14	13000	71
188413	LS.A-50-14-AS-SST-M10x68-VD	50	M10	95	98	68	27	19	14	14	13000	84
188415	LS.A-50-14-AS-SST-M10x98-VD	50	M10	125	128	98	27	19	14	14	13000	98
188421	LS.A-50-14-AS-SST-M12x43-VD	50	M12	70	73	43	27	19	14	14	13000	81
188423	LS.A-50-14-AS-SST-M12x68-VD	50	M12	95	98	68	27	19	14	14	13000	99
188425	LS.A-50-14-AS-SST-M12x98-VD	50	M12	125	128	98	27	19	14	14	13000	121
188431	LS.A-50-14-AS-SST-M14x68-VD	50	M14	95	98	68	27	19	14	14	13000	114
188433	LS.A-50-14-AS-SST-M14x98-VD	50	M14	125	128	98	27	19	14	14	13000	135
188435	LS.A-50-14-AS-SST-M14x148-VD	50	M14	175	178	148	27	19	14	14	13000	218
188441	LS.A-50-14-AS-SST-M16x68-VD	50	M16	95	98	68	27	19	16	14	13000	144
188443	LS.A-50-14-AS-SST-M16x108-VD	50	M16	135	138	108	27	19	16	14	13000	197
188445	LS.A-50-14-AS-SST-M16x148-VD	50	M16	175	178	148	27	19	16	14	13000	251
188447	LS.A-50-14-AS-SST-M16x168-VD	50	M16	195	198	168	27	19	16	14	13000	278
188501	LS.A-60-14-AS-SST-M8x43-VD	60	M8	76	79	43	33	24	14	14	14000	81
188503	LS.A-60-14-AS-SST-M8x68-VD	60	M8	101	104	68	33	24	14	14	14000	93
188511	LS.A-60-14-AS-SST-M10x43-VD	60	M10	76	79	43	33	24	14	14	14000	90
188513	LS.A-60-14-AS-SST-M10x68-VD	60	M10	101	104	68	33	24	14	14	14000	103
188515	LS.A-60-14-AS-SST-M10x98-VD	60	M10	131	134	98	33	24	14	14	14000	117
188521	LS.A-60-14-AS-SST-M12x43-VD	60	M12	76	79	43	33	24	14	14	14000	100
188523	LS.A-60-14-AS-SST-M12x68-VD	60	M12	101	104	68	33	24	14	14	14000	118
188525	LS.A-60-14-AS-SST-M12x98-VD	60	M12	131	134	98	33	24	14	14	14000	140
188531	LS.A-60-14-AS-SST-M14x68-VD	60	M14	101	104	68	33	24	14	14	14000	141
188533	LS.A-60-14-AS-SST-M14x98-VD	60	M14	131	134	98	33	24	14	14	14000	162
188535	LS.A-60-14-AS-SST-M14x148-VD	60	M14	181	184	148	33	24	14	14	14000	245
188541	LS.A-60-14-AS-SST-M16x68-VD	60	M16	101	104	68	33	24	16	14	14000	163
188543	LS.A-60-14-AS-SST-M16x108-VD	60	M16	141	144	108	33	24	16	14	14000	217
188545	LS.A-60-14-AS-SST-M16x148-VD	60	M16	181	184	148	33	24	16	14	14000	270
188547	LS.A-60-14-AS-SST-M16x168-VD	60	M16	201	204	168	33	24	16	14	14000	297
188551	LS.A-60-24-AS-SST-M16x58-VD	60	M16	101	104	58	43	24	24	24	18000	226
188553	LS.A-60-24-AS-SST-M16x98-VD	60	M16	141	144	98	43	24	24	24	18000	279
188555	LS.A-60-24-AS-SST-M16x138-VD	60	M16	181	184	138	43	24	24	24	18000	330
188557	LS.A-60-24-AS-SST-M16x158-VD	60	M16	201	204	158	43	24	24	24	18000	358
188561	LS.A-60-24-AS-SST-M20x98-VD	60	M20	141	144	98	43	24	24	24	18000	351
188563	LS.A-60-24-AS-SST-M20x138-VD	60	M20	181	184	138	43	24	24	24	18000	432
188565	LS.A-60-24-AS-SST-M20x158-VD	60	M20	201	204	158	43	24	24	24	18000	472
188567	LS.A-60-24-AS-SST-M20x198-VD	60	M20	241	244	198	43	24	24	24	18000	558
188571	LS.A-60-24-AS-SST-M24x98-VD	60	M24	141	144	98	43	24	24	24	18000	452
188573	LS.A-60-24-AS-SST-M24x158-VD	60	M24	201	204	158	43	24	24	24	18000	629
188575	LS.A-60-24-AS-SST-M24x198-VD	60	M24	241	244	198	43	24	24	24	18000	751

* The max static load is the value above which the load applied to the element may cause some plastic material breakage, in particular conditions of use. Obviously, a factor that takes into consideration the importance and the safety level of the specific application must be applied to this value.