

Adjustable feet

Visually Detectable technopolymer base, stainless steel stem

BASE

Glass-fibre reinforced polyamide based (PA) technopolymer, RAL 5005 blue colour, matte finish.

Produced from FDA compliant raw material (FDA CFR.21 and EU 10/2011).

ARTICULATED STEM

Threaded AISI 304 stainless steel with regulation hexagon.

STANDARD EXECUTIONS

- **LV.A-SST-VD**: without no-slip disk.
- **LV.A-AS-SST-VD**: with NBR rubber no-slip disk, hardness 70 Shore A, supplied assembled to the base.

FEATURES AND APPLICATIONS

The RAL 5005 blue colour is easily visible in case of accidental food contamination.

The special knurling under the lower lip of the base provides excellent stability and grip when using the levelling element without no-slip disk even on surfaces that are not perfectly flat.

The particular assembling system of the no-slip disk to the base assures a perfect anchoring, preventing separation even in case of impact during transport or of adhesion (sticking) to the floor (see No-slip disk).

ORDER INFORMATION

The levelling feet are supplied unassembled to make carriage and storage easier. The components (base and stem) are supplied in separate packing: less volume taken and better protection from scratches and dirt.

To order bases and stems separately, see:

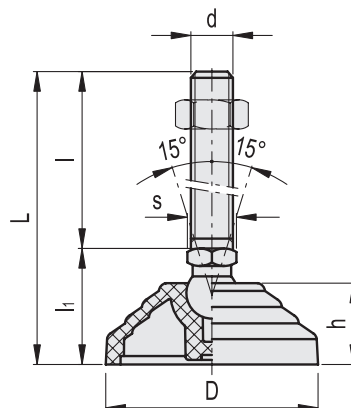
- table of possible combinations Bases/Stems
- the codes of the Bases
- the codes of the Stems

ACCESSORIES ON REQUEST

AISI 304 stainless steel nut (see Nuts NT.).



ELESA Original design



LV.A-SST-VD

STAINLESS STEEL

Code	Description	D	d	L	l	li	h	s	Articulation Ø	Max. limit static load* [N]	⚖️
183101	LV.A-60-14-SST-M8x43-VD	60	M8	76	43	33	24	14	14	14000	63
183103	LV.A-60-14-SST-M8x68-VD	60	M8	101	68	33	24	14	14	14000	75
183111	LV.A-60-14-SST-M10x43-VD	60	M10	76	43	33	24	14	14	14000	72
183113	LV.A-60-14-SST-M10x68-VD	60	M10	101	68	33	24	14	14	14000	85
183115	LV.A-60-14-SST-M10x98-VD	60	M10	131	98	33	24	14	14	14000	99
183121	LV.A-60-14-SST-M12x43-VD	60	M12	76	43	33	24	14	14	14000	82
183123	LV.A-60-14-SST-M12x68-VD	60	M12	101	68	33	24	14	14	14000	100
183125	LV.A-60-14-SST-M12x98-VD	60	M12	131	98	33	24	14	14	14000	122
183131	LV.A-60-14-SST-M14x98-VD	60	M14	101	98	33	24	14	14	14000	123
183133	LV.A-60-14-SST-M14x98-VD	60	M14	131	98	33	24	14	14	14000	144
183135	LV.A-60-14-SST-M14x148-VD	60	M14	181	148	33	24	14	14	14000	227
183141	LV.A-60-14-SST-M16x68-VD	60	M16	101	68	33	24	16	14	14000	145
183143	LV.A-60-14-SST-M16x108-VD	60	M16	141	108	33	24	16	14	14000	199
183145	LV.A-60-14-SST-M16x148-VD	60	M16	181	148	33	24	16	14	14000	252
183147	LV.A-60-14-SST-M16x168-VD	60	M16	201	168	33	24	16	14	14000	279
183151	LV.A-60-24-SST-M16x58-VD	60	M16	101	58	43	24	24	24	18000	208
183153	LV.A-60-24-SST-M16x98-VD	60	M16	141	98	43	24	24	24	18000	260
183155	LV.A-60-24-SST-M16x138-VD	60	M16	181	138	43	24	24	24	18000	311
183157	LV.A-60-24-SST-M16x158-VD	60	M16	201	158	43	24	24	24	18000	339
183161	LV.A-60-24-SST-M20x98-VD	60	M20	141	98	43	24	24	24	18000	332
183163	LV.A-60-24-SST-M20x138-VD	60	M20	181	138	43	24	24	24	18000	412
183165	LV.A-60-24-SST-M20x158-VD	60	M20	201	158	43	24	24	24	18000	452
183167	LV.A-60-24-SST-M20x198-VD	60	M20	241	198	43	24	24	24	18000	537
183171	LV.A-60-24-SST-M24x98-VD	60	M24	141	98	43	24	24	24	18000	432
183173	LV.A-60-24-SST-M24x158-VD	60	M24	201	158	43	24	24	24	18000	607
183175	LV.A-60-24-SST-M24x198-VD	60	M24	241	198	43	24	24	24	18000	728
183201	LV.A-70-14-SST-M8x43-VD	70	M8	71	43	28	19	14	14	14000	61
183203	LV.A-70-14-SST-M8x68-VD	70	M8	96	68	28	19	14	14	14000	73
183211	LV.A-70-14-SST-M10x43-VD	70	M10	71	43	28	19	14	14	14000	70
183213	LV.A-70-14-SST-M10x68-VD	70	M10	96	68	28	19	14	14	14000	84
183215	LV.A-70-14-SST-M10x98-VD	70	M10	126	98	28	19	14	14	14000	97
183221	LV.A-70-14-SST-M12x43-VD	70	M12	71	43	28	19	14	14	14000	80
183223	LV.A-70-14-SST-M12x68-VD	70	M12	96	68	28	19	14	14	14000	98
183225	LV.A-70-14-SST-M12x98-VD	70	M12	126	98	28	19	14	14	14000	120
183231	LV.A-70-14-SST-M14x68-VD	70	M14	96	68	28	19	14	14	14000	121
183233	LV.A-70-14-SST-M14x98-VD	70	M14	126	98	28	19	14	14	14000	142
183235	LV.A-70-14-SST-M14x148-VD	70	M14	176	148	28	19	14	14	14000	225
183241	LV.A-70-14-SST-M16x68-VD	70	M16	96	68	28	19	16	14	14000	143
183243	LV.A-70-14-SST-M16x108-VD	70	M16	136	108	28	19	16	14	14000	197
183245	LV.A-70-14-SST-M16x148-VD	70	M16	176	148	28	19	16	14	14000	250
183247	LV.A-70-14-SST-M16x168-VD	70	M16	196	168	28	19	16	14	14000	277
183301	LV.A-80-14-SST-M8x43-VD	80	M8	76	43	33	24	14	14	16000	84
183303	LV.A-80-14-SST-M8x68-VD	80	M8	101	68	33	24	14	14	16000	96
183311	LV.A-80-14-SST-M10x43-VD	80	M10	76	43	33	24	14	14	16000	93
183313	LV.A-80-14-SST-M10x68-VD	80	M10	101	68	33	24	14	14	16000	106
183315	LV.A-80-14-SST-M10x98-VD	80	M10	131	98	33	24	14	14	16000	120
183321	LV.A-80-14-SST-M12x43-VD	80	M12	76	43	33	24	14	14	16000	103
183323	LV.A-80-14-SST-M12x68-VD	80	M12	101	68	33	24	14	14	16000	121
183325	LV.A-80-14-SST-M12x98-VD	80	M12	131	98	33	24	14	14	16000	143
183331	LV.A-80-14-SST-M14x68-VD	80	M14	101	68	33	24	14	14	16000	144
183333	LV.A-80-14-SST-M14x98-VD	80	M14	131	98	33	24	14	14	16000	165
183335	LV.A-80-14-SST-M14x148-VD	80	M14	181	148	33	24	14	14	16000	248
183341	LV.A-80-14-SST-M16x68-VD	80	M16	101	68	33	24	16	14	16000	166
183343	LV.A-80-14-SST-M16x108-VD	80	M16	141	108	33	24	16	14	16000	220
183345	LV.A-80-14-SST-M16x148-VD	80	M16	181	148	33	24	16	14	16000	273
183347	LV.A-80-14-SST-M16x168-VD	80	M16	201	168	33	24	16	14	16000	300

* The max static load is the value above which the load applied to the element may cause some plastic material breakage, in particular conditions of use. Obviously, a factor that takes into consideration the importance and the safety level of the specific application must be applied to this value.



Leveling elements 11



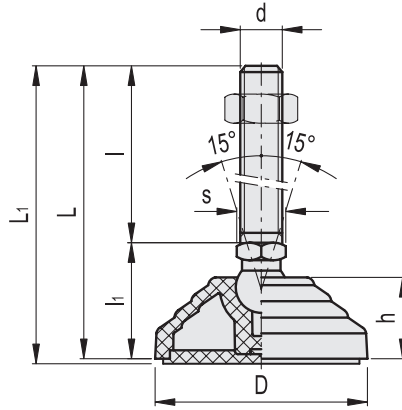
Levelling elements 11

LV.A-SST-VD

STAINLESS STEEL

Code	Description	D	d	L	l	li	h	s	Articulation\Ø	Max. limit static load* [N]	⚖️
183351	LV.A-80-24-SST-M16x58-VD	80	M16	101	58	43	24	24	24	18000	228
183353	LV.A-80-24-SST-M16x98-VD	80	M16	141	98	43	24	24	24	18000	280
183355	LV.A-80-24-SST-M16x138-VD	80	M16	181	138	43	24	24	24	18000	331
183357	LV.A-80-24-SST-M16x158-VD	80	M16	201	158	43	24	24	24	18000	359
183361	LV.A-80-24-SST-M20x98-VD	80	M20	141	98	43	24	24	24	18000	352
183363	LV.A-80-24-SST-M20x138-VD	80	M20	181	138	43	24	24	24	18000	432
183365	LV.A-80-24-SST-M20x158-VD	80	M20	201	158	43	24	24	24	18000	472
183367	LV.A-80-24-SST-M20x198-VD	80	M20	241	198	43	24	24	24	18000	577
183371	LV.A-80-24-SST-M24x98-VD	80	M24	141	98	43	24	24	24	18000	452
183373	LV.A-80-24-SST-M24x158-VD	80	M24	201	158	43	24	24	24	18000	627
183375	LV.A-80-24-SST-M24x198-VD	80	M24	241	198	43	24	24	24	18000	748
183401	LV.A-100-14-SST-M8x43-VD	100	M8	76	43	33	24	14	14	18000	91
183403	LV.A-100-14-SST-M8x68-VD	100	M8	101	68	33	24	14	14	18000	103
183411	LV.A-100-14-SST-M10x43-VD	100	M10	76	43	33	24	14	14	18000	100
183413	LV.A-100-14-SST-M10x68-VD	100	M10	101	68	33	24	14	14	18000	112
183415	LV.A-100-14-SST-M10x98-VD	100	M10	131	98	33	24	14	14	18000	126
183421	LV.A-100-14-SST-M12x43-VD	100	M12	76	43	33	24	14	14	18000	110
183423	LV.A-100-14-SST-M12x68-VD	100	M12	101	68	33	24	14	14	18000	127
183425	LV.A-100-14-SST-M12x98-VD	100	M12	131	98	33	24	14	14	18000	148
183431	LV.A-100-14-SST-M14x68-VD	100	M14	101	68	33	24	14	14	18000	149
183433	LV.A-100-14-SST-M14x98-VD	100	M14	131	98	33	24	14	14	18000	170
183435	LV.A-100-14-SST-M14x148-VD	100	M14	181	148	33	24	14	14	18000	253
183441	LV.A-100-14-SST-M16x68-VD	100	M16	101	68	33	24	16	14	18000	171
183443	LV.A-100-14-SST-M16x108-VD	100	M16	141	108	33	24	16	14	18000	223
183445	LV.A-100-14-SST-M16x148-VD	100	M16	181	148	33	24	16	14	18000	275
183447	LV.A-100-14-SST-M16x168-VD	100	M16	201	168	33	24	16	14	18000	301
183451	LV.A-100-24-SST-M16x58-VD	100	M16	101	58	43	24	24	24	25000	254
183453	LV.A-100-24-SST-M16x98-VD	100	M16	141	98	43	24	24	24	25000	357
183455	LV.A-100-24-SST-M16x138-VD	100	M16	181	138	43	24	24	24	25000	357
183457	LV.A-100-24-SST-M16x158-VD	100	M16	201	158	43	24	24	24	25000	385
183461	LV.A-100-24-SST-M20x98-VD	100	M20	141	98	43	24	24	24	25000	378
183463	LV.A-100-24-SST-M20x138-VD	100	M20	181	138	43	24	24	24	25000	458
183465	LV.A-100-24-SST-M20x158-VD	100	M20	201	158	43	24	24	24	25000	498
183467	LV.A-100-24-SST-M20x198-VD	100	M20	241	198	43	24	24	24	25000	583
183471	LV.A-100-24-SST-M24x98-VD	100	M24	141	98	43	24	24	24	25000	478
183473	LV.A-100-24-SST-M24x158-VD	100	M24	201	158	43	24	24	24	25000	653
183475	LV.A-100-24-SST-M24x198-VD	100	M24	241	198	43	24	24	24	25000	774
183501	LV.A-125-24-SST-M16x58-VD	125	M16	125	58	67	46	24	24	28000	389
183503	LV.A-125-24-SST-M16x98-VD	125	M16	165	98	67	46	24	24	28000	441
183505	LV.A-125-24-SST-M16x138-VD	125	M16	205	138	67	46	24	24	28000	492
183507	LV.A-125-24-SST-M16x158-VD	125	M16	225	158	67	46	24	24	28000	520
183511	LV.A-125-24-SST-M20x98-VD	125	M20	165	98	67	46	24	24	28000	513
183513	LV.A-125-24-SST-M20x138-VD	125	M20	205	138	67	46	24	24	28000	633
183515	LV.A-125-24-SST-M20x158-VD	125	M20	225	158	67	46	24	24	28000	633
183517	LV.A-125-24-SST-M20x198-VD	125	M20	265	198	67	46	24	24	28000	718
183521	LV.A-125-24-SST-M24x98-VD	125	M24	165	98	67	46	24	24	28000	613
183523	LV.A-125-24-SST-M24x158-VD	125	M24	225	158	67	46	24	24	28000	788
183525	LV.A-125-24-SST-M24x198-VD	125	M24	265	198	67	46	24	24	28000	909

* The max static load is the value above which the load applied to the element may cause some plastic material breakage, in particular conditions of use. Obviously, a factor that takes into consideration the importance and the safety level of the specific application must be applied to this value.



LV.A-AS-SST-VD

STAINLESS STEEL

Code	Description	D	d	L	L1	l	l1	h	s	Articulation Ø	Max. limit static load* [N]	⚖️
184101	LV.A-60-14-AS-SST-M8x43-VD	60	M8	76	79	43	33	24	14	14	14000	82
184103	LV.A-60-14-AS-SST-M8x68-VD	60	M8	101	104	68	33	24	14	14	14000	94
184111	LV.A-60-14-AS-SST-M10x43-VD	60	M10	76	79	43	33	24	14	14	14000	91
184113	LV.A-60-14-AS-SST-M10x68-VD	60	M10	101	104	68	33	24	14	14	14000	104
184115	LV.A-60-14-AS-SST-M10x98-VD	60	M10	131	134	98	33	24	14	14	14000	118
184121	LV.A-60-14-AS-SST-M12x43-VD	60	M12	76	79	43	33	24	14	14	14000	101
184123	LV.A-60-14-AS-SST-M12x68-VD	60	M12	101	104	68	33	24	14	14	14000	119
184125	LV.A-60-14-AS-SST-M12x98-VD	60	M12	131	134	98	33	24	14	14	14000	141
184131	LV.A-60-14-AS-SST-M14x68-VD	60	M14	101	104	68	33	24	14	14	14000	142
184133	LV.A-60-14-AS-SST-M14x98-VD	60	M14	131	134	98	33	24	14	14	14000	163
184135	LV.A-60-14-AS-SST-M14x148-VD	60	M14	181	184	148	33	24	14	14	14000	246
184141	LV.A-60-14-AS-SST-M16x68-VD	60	M16	101	104	68	33	24	16	14	14000	164
184143	LV.A-60-14-AS-SST-M16x108-VD	60	M16	141	144	108	33	24	16	14	14000	218
184145	LV.A-60-14-AS-SST-M16x148-VD	60	M16	181	184	148	33	24	16	14	14000	271
184147	LV.A-60-14-AS-SST-M16x168-VD	60	M16	201	204	168	33	24	16	14	14000	298
184151	LV.A-60-24-AS-SST-M16x58-VD	60	M16	101	104	58	43	24	24	24	18000	227
184153	LV.A-60-24-AS-SST-M16x98-VD	60	M16	141	144	98	43	24	24	24	18000	279
184155	LV.A-60-24-AS-SST-M16x138-VD	60	M16	181	184	138	43	24	24	24	18000	330
184157	LV.A-60-24-AS-SST-M16x158-VD	60	M16	201	204	158	43	24	24	24	18000	358
184161	LV.A-60-24-AS-SST-M20x98-VD	60	M20	141	144	98	43	24	24	24	18000	351
184163	LV.A-60-24-AS-SST-M20x138-VD	60	M20	181	184	138	43	24	24	24	18000	431
184165	LV.A-60-24-AS-SST-M20x158-VD	60	M20	201	204	158	43	24	24	24	18000	471
184167	LV.A-60-24-AS-SST-M20x198-VD	60	M20	241	244	198	43	24	24	24	18000	556
184171	LV.A-60-24-AS-SST-M24x98-VD	60	M24	141	144	98	43	24	24	24	18000	451
184173	LV.A-60-24-AS-SST-M24x158-VD	60	M24	201	204	158	43	24	24	24	18000	626
184175	LV.A-60-24-AS-SST-M24x198-VD	60	M24	241	244	198	43	24	24	24	18000	747
184201	LV.A-70-14-AS-SST-M8x43-VD	70	M8	71	74	43	28	19	14	14	14000	81
184203	LV.A-70-14-AS-SST-M8x68-VD	70	M8	96	99	68	28	19	14	14	14000	93
184211	LV.A-70-14-AS-SST-M10x43-VD	70	M10	71	74	43	28	19	14	14	14000	90
184213	LV.A-70-14-AS-SST-M10x68-VD	70	M10	96	99	68	28	19	14	14	14000	103
184215	LV.A-70-14-AS-SST-M10x98-VD	70	M10	126	129	98	28	19	14	14	14000	117
184221	LV.A-70-14-AS-SST-M12x43-VD	70	M12	71	74	43	28	19	14	14	14000	100
184223	LV.A-70-14-AS-SST-M12x68-VD	70	M12	96	99	68	28	19	14	14	14000	118
184225	LV.A-70-14-AS-SST-M12x98-VD	70	M12	126	129	98	28	19	14	14	14000	140
184231	LV.A-70-14-AS-SST-M14x68-VD	70	M14	96	99	68	28	19	14	14	14000	141
184233	LV.A-70-14-AS-SST-M14x98-VD	70	M14	126	129	98	28	19	14	14	14000	162
184235	LV.A-70-14-AS-SST-M14x148-VD	70	M14	176	179	148	28	19	14	14	14000	245
184241	LV.A-70-14-AS-SST-M16x68-VD	70	M16	96	99	68	28	19	16	14	14000	163
184243	LV.A-70-14-AS-SST-M16x108-VD	70	M16	136	139	108	28	19	16	14	14000	217
184245	LV.A-70-14-AS-SST-M16x148-VD	70	M16	176	179	148	28	19	16	14	14000	270
184247	LV.A-70-14-AS-SST-M16x168-VD	70	M16	196	199	168	28	19	16	14	14000	297

* The max static load is the value above which the load applied to the element may cause some plastic material breakage, in particular conditions of use. Obviously, a factor that takes into consideration the importance and the safety level of the specific application must be applied to this value.





Leveling elements 11

LV.A-AS-SST-VD

STAINLESS STEEL

Code	Description	D	d	L	Li	l	li	h	s	Articulation Ø	Max. limit static load* [N]	
184301	LV.A-80-14-AS-SST-M8x43-VD	80	M8	76	79	43	33	24	14	14	16000	110
184303	LV.A-80-14-AS-SST-M8x68-VD	80	M8	101	104	68	33	24	14	14	16000	122
184311	LV.A-80-14-AS-SST-M10x43-VD	80	M10	76	79	43	33	24	14	14	16000	119
184313	LV.A-80-14-AS-SST-M10x68-VD	80	M10	101	104	68	33	24	14	14	16000	132
184315	LV.A-80-14-AS-SST-M10x98-VD	80	M10	131	134	98	33	24	14	14	16000	146
184321	LV.A-80-14-AS-SST-M12x43-VD	80	M12	76	79	43	33	24	14	14	16000	129
184323	LV.A-80-14-AS-SST-M12x68-VD	80	M12	101	104	68	33	24	14	14	16000	147
184325	LV.A-80-14-AS-SST-M12x98-VD	80	M12	131	134	98	33	24	14	14	16000	169
184331	LV.A-80-14-AS-SST-M14x68-VD	80	M14	101	104	68	33	24	14	14	16000	170
184333	LV.A-80-14-AS-SST-M14x98-VD	80	M14	131	134	98	33	24	14	14	16000	191
184335	LV.A-80-14-AS-SST-M14x148-VD	80	M14	181	184	148	33	24	14	14	16000	274
184341	LV.A-80-14-AS-SST-M16x68-VD	80	M16	101	104	68	33	24	16	14	16000	192
184343	LV.A-80-14-AS-SST-M16x108-VD	80	M16	141	144	108	33	24	16	14	16000	246
184345	LV.A-80-14-AS-SST-M16x148-VD	80	M16	181	184	148	33	24	16	14	16000	299
184347	LV.A-80-14-AS-SST-M16x168-VD	80	M16	201	204	168	33	24	16	14	16000	326
184351	LV.A-80-24-AS-SST-M16x58-VD	80	M16	101	104	58	43	24	24	24	18000	254
184353	LV.A-80-24-AS-SST-M16x98-VD	80	M16	141	144	98	43	24	24	24	18000	306
184355	LV.A-80-24-AS-SST-M16x138-VD	80	M16	181	184	138	43	24	24	24	18000	357
184357	LV.A-80-24-AS-SST-M16x158-VD	80	M16	201	204	158	43	24	24	24	18000	385
184361	LV.A-80-24-AS-SST-M20x98-VD	80	M20	141	144	98	43	24	24	24	18000	378
184363	LV.A-80-24-AS-SST-M20x138-VD	80	M20	181	184	138	43	24	24	24	18000	458
184365	LV.A-80-24-AS-SST-M20x158-VD	80	M20	201	204	158	43	24	24	24	18000	498
184367	LV.A-80-24-AS-SST-M20x198-VD	80	M20	241	244	198	43	24	24	24	18000	583
184371	LV.A-80-24-AS-SST-M24x98-VD	80	M24	141	144	98	43	24	24	24	18000	478
184373	LV.A-80-24-AS-SST-M24x158-VD	80	M24	201	204	158	43	24	24	24	18000	653
184375	LV.A-80-24-AS-SST-M24x198-VD	80	M24	241	244	198	43	24	24	24	18000	774
184401	LV.A-100-14-AS-SST-M8x43-VD	100	M8	76	79	43	33	24	14	14	18000	146
184403	LV.A-100-14-AS-SST-M8x68-VD	100	M8	101	104	68	33	24	14	14	18000	158
184411	LV.A-100-14-AS-SST-M10x43-VD	100	M10	76	79	43	33	24	14	14	18000	155
184413	LV.A-100-14-AS-SST-M10x68-VD	100	M10	101	104	68	33	24	14	14	18000	167
184415	LV.A-100-14-AS-SST-M10x98-VD	100	M10	131	134	98	33	24	14	14	18000	181
184421	LV.A-100-14-AS-SST-M12x43-VD	100	M12	76	79	43	33	24	14	14	18000	165
184423	LV.A-100-14-AS-SST-M12x68-VD	100	M12	101	104	68	33	24	14	14	18000	182
184425	LV.A-100-14-AS-SST-M12x98-VD	100	M12	131	134	98	33	24	14	14	18000	203
184431	LV.A-100-14-AS-SST-M14x68-VD	100	M14	101	104	68	33	24	14	14	18000	204
184433	LV.A-100-14-AS-SST-M14x98-VD	100	M14	131	134	98	33	24	14	14	18000	225
184435	LV.A-100-14-AS-SST-M14x148-VD	100	M14	181	184	148	33	24	14	14	18000	308
184441	LV.A-100-14-AS-SST-M16x68-VD	100	M16	101	104	68	33	24	16	14	18000	226
184443	LV.A-100-14-AS-SST-M16x108-VD	100	M16	141	144	108	33	24	16	14	18000	278
184445	LV.A-100-14-AS-SST-M16x148-VD	100	M16	181	184	148	33	24	16	14	18000	330
184447	LV.A-100-14-AS-SST-M16x168-VD	100	M16	201	204	168	33	24	16	14	18000	356
184451	LV.A-100-24-AS-SST-M16x58-VD	100	M16	101	104	58	43	24	24	24	25000	308
184453	LV.A-100-24-AS-SST-M16x98-VD	100	M16	141	144	98	43	24	24	24	25000	411
184455	LV.A-100-24-AS-SST-M16x138-VD	100	M16	181	184	138	43	24	24	24	25000	411
184457	LV.A-100-24-AS-SST-M16x158-VD	100	M16	201	204	158	43	24	24	24	25000	439
184461	LV.A-100-24-AS-SST-M20x98-VD	100	M20	141	144	98	43	24	24	24	25000	432
184463	LV.A-100-24-AS-SST-M20x138-VD	100	M20	181	184	138	43	24	24	24	25000	512
184465	LV.A-100-24-AS-SST-M20x158-VD	100	M20	201	204	158	43	24	24	24	25000	552
184467	LV.A-100-24-AS-SST-M20x198-VD	100	M20	241	244	198	43	24	24	24	25000	637
184471	LV.A-100-24-AS-SST-M24x98-VD	100	M24	141	144	98	43	24	24	24	25000	532
184473	LV.A-100-24-AS-SST-M24x158-VD	100	M24	201	204	158	43	24	24	24	25000	707
184475	LV.A-100-24-AS-SST-M24x198-VD	100	M24	241	244	198	43	24	24	24	25000	828
184501	LV.A-125-24-AS-SST-M16x58-VD	125	M16	125	128	58	67	46	24	24	28000	515
184503	LV.A-125-24-AS-SST-M16x98-VD	125	M16	165	168	98	67	46	24	24	28000	567
184505	LV.A-125-24-AS-SST-M16x138-VD	125	M16	205	208	138	67	46	24	24	28000	618
184507	LV.A-125-24-AS-SST-M16x158-VD	125	M16	225	228	158	67	46	24	24	28000	646
184511	LV.A-125-24-AS-SST-M20x98-VD	125	M20	165	168	98	67	46	24	24	28000	639
184513	LV.A-125-24-AS-SST-M20x138-VD	125	M20	205	208	138	67	46	24	24	28000	759
184515	LV.A-125-24-AS-SST-M20x158-VD	125	M20	225	228	158	67	46	24	24	28000	759
184517	LV.A-125-24-AS-SST-M20x198-VD	125	M20	265	268	198	67	46	24	24	28000	844
184521	LV.A-125-24-AS-SST-M24x98-VD	125	M24	165	168	98	67	46	24	24	28000	739
184523	LV.A-125-24-AS-SST-M24x158-VD	125	M24	225	228	158	67	46	24	24	28000	914
184525	LV.A-125-24-AS-SST-M24x198-VD	125	M24	265	268	198	67	46	24	24	28000	1035

* The max static load is the value above which the load applied to the element may cause some plastic material breakage, in particular conditions of use. Obviously, a factor that takes into consideration the importance and the safety level of the specific application must be applied to this value.