

## Hammer head screw

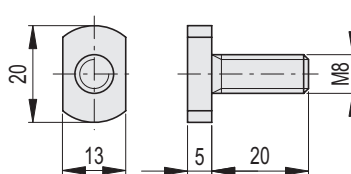
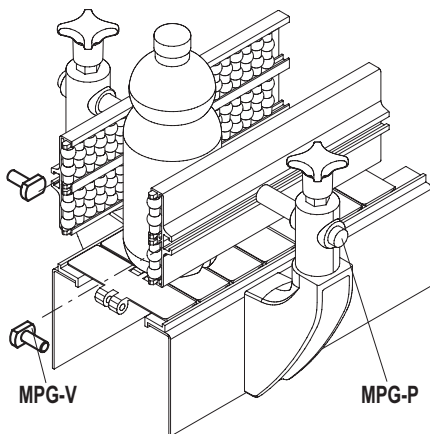
For GLA, GCA, PRA and PRB guides, steel or stainless steel

### STANDARD EXECUTIONS

- **MPG-V**: zinc-plated steel.
- **MPG-V-SST**: AISI 304 stainless steel.

### FEATURES AND APPLICATIONS

MPG-V hammer head screws are used to join the different types of lateral guides to the MPG-P fixing pins.



### MPG-V

Code	Description	
419693	MPG-V-p-M8x20	15

### MPG-V-SST

**STAINLESS STEEL**

Code	Description	
419697	MPG-V-SST-p-M8x20	16