

Separation block for GLA-1 side guides

Technopolymer

MATERIAL

Polyethylene based (PE) technopolymer, grey colour.

SCREWS AND NUTS WITH THREAD LOCK

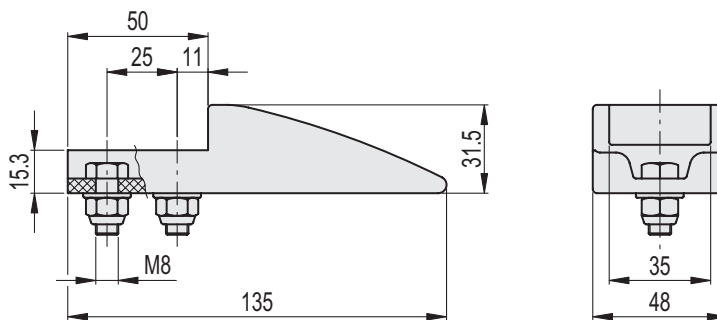
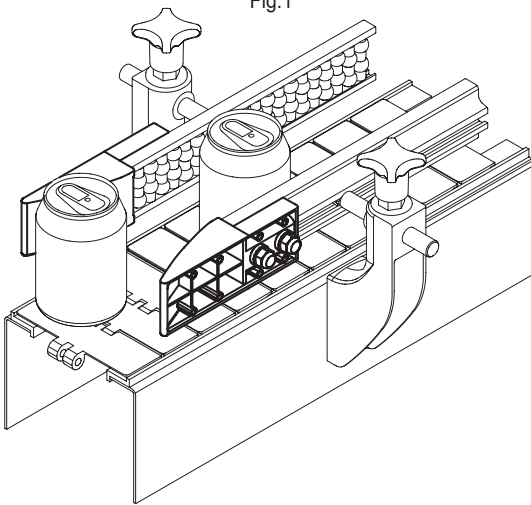
AISI 304 stainless steel.

FEATURES AND APPLICATIONS

PGL-1 separation block is used at the ends of GLA-1 side guides (Fig.1).



Fig.1



STAINLESS STEEL

Code	Description	
419145	PGL-1-48-135	80