

## Castors with steel bracket

### Injected polyurethane coating

#### COVERING

Injected polyurethane, hardness 85 Shore A.

#### WHEEL CENTRE BODY

Polyamide based (PA) technopolymer.

#### STANDARD EXECUTIONS

- **PBL**: fixed plate bracket, without brake.
- **SBL**: turning plate bracket, without brake.
- **SBF**: turning plate bracket, with brake.
- **FBL**: turning plate bracket and centre pass-through hole, without brake.
- **FBF**: turning plate bracket and centre pass-through hole, with brake.

#### FIXED PLATE BRACKET

Zinc-plated steel sheet, the bracket is designed to withstand loads up to 1800N.

#### TURNING PLATE BRACKET

Zinc-plated steel sheet, the bracket is designed to withstand loads up to 1800N.

The presence of a double ball race and direct contact between the plate and the ball race ring with built-in pin ensure excellent manoeuvrability.

Does not require maintenance.

It consists of (see Fig.1):

1. fitting plate: electrolytically zinc-plated steel plate;
2. fork: electrolytically zinc-plated steel plate;
3. ball race ring: electrolytically zinc-plated steel plate;
4. central pin: incorporated in the plate, cold reflanged;
5. rotation system: dual grease-lubricated ball race;
6. dust seal: RAL 7015 dark grey technopolymer, available only for SBL and SBF executions.

#### BRAKE

Total brake that locks the wheel and bracket rotation.

The optimised dimensions and the retractable pedal ensure minimal space occupied and maximum actuation ease. Hardened carbon steel spring.

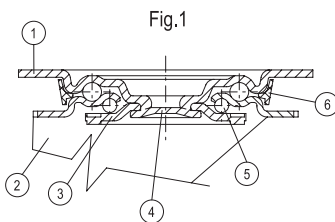
The trolley must be turned to use the device. The brake is simple and effective to use: it is actuated and released by a simple action from the top downward at the tip of two separate pedals, thus ensuring the utmost manoeuvring comfort.

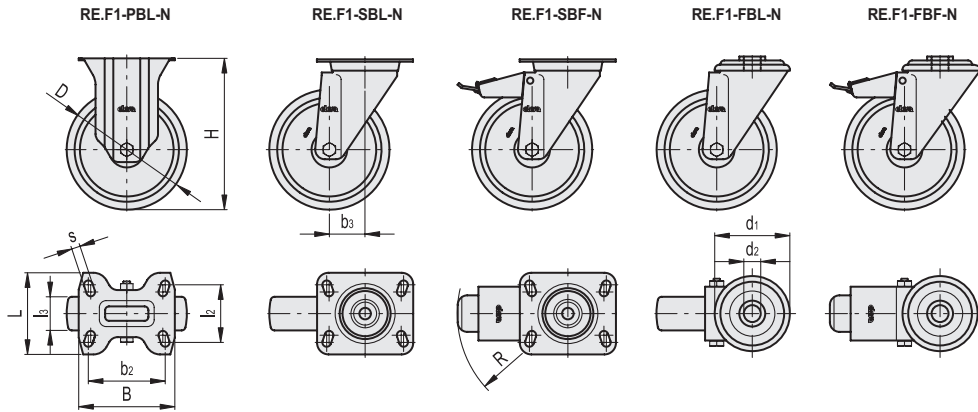
#### APPLICATIONS

Excellent rolling resistance and elasticity features, good wear and tearing resistance.

Excellent capacity to overcome obstacles.

For further information see wheel technical data sheet RE.F1.





RE.F1-PBL-N

Code	Description	D	l <sub>2</sub>	l <sub>3</sub>	H	B	L	s	b <sub>2</sub>	Rolling resistance# [N]	Dynamic carrying capacity# [N]	⚖️
452480	RE.F1-080-PBL-N	80	60	30	107	100	85	9	80	750	750	450
452481	RE.F1-100-PBL-N	100	60	30	128	100	85	9	80	1200	1200	475
452482	RE.F1-125-PBL-N	125	60	35	156	100	85	9	80	1800	1800	660
452483	RE.F1-150-PBL-N	150	80	45	194	140	110	11	105	2400	2500	1460
452468	RE.F1-200-PBL-N	200	80	50	240	140	110	11	105	3000	3000	1810

RE.F1-SBL-N

Code	Description	D	l <sub>2</sub>	l <sub>3</sub>	H	B	L	s	b <sub>2</sub>	b <sub>3</sub>	Rolling resistance# [N]	Dynamic carrying capacity# [N]	⚖️
452484	RE.F1-080-SBL-N	80	60	30	107	100	85	9	80	37	750	750	620
452485	RE.F1-100-SBL-N	100	60	30	128	100	85	9	80	35	1200	1200	645
452486	RE.F1-125-SBL-N	125	60	35	156	100	85	9	80	37	1800	1800	867
452487	RE.F1-150-SBL-N	150	80	45	194	140	110	11	105	56	2400	2500	1830
452469	RE.F1-200-SBL-N	200	80	50	240	140	110	11	105	56	3000	3000	2230

RE.F1-SBF-N

Code	Description	D	l <sub>2</sub>	l <sub>3</sub>	H	B	L	s	b <sub>2</sub>	b <sub>3</sub>	R	Rolling resistance# [N]	Dynamic carrying capacity# [N]	⚖️
452488	RE.F1-080-SBF-N	80	60	30	107	100	85	9	80	37	120	750	750	810
452489	RE.F1-100-SBF-N	100	60	30	128	100	85	9	80	35	120	1200	1200	778
452490	RE.F1-125-SBF-N	125	60	35	156	100	85	9	80	37	120	1800	1800	1050
452491	RE.F1-150-SBF-N	150	80	45	194	140	110	11	105	56	156	2400	2500	2110
452470	RE.F1-200-SBF-N	200	80	50	240	140	110	11	105	56	156	3000	3000	2490

RE.F1-FBL-N

Code	Description	D	d <sub>1</sub>	d <sub>2</sub>	l <sub>3</sub>	H	b <sub>3</sub>	Rolling resistance# [N]	Dynamic carrying capacity# [N]	⚖️
452492	RE.F1-080-FBL-N	80	73	12	30	107	37	750	750	550
452493	RE.F1-100-FBL-N	100	73	12	30	128	35	1200	1200	670
452494	RE.F1-125-FBL-N	125	73	12	35	156	37	1800	1800	850
452495	RE.F1-150-FBL-N	150	102	20	45	188	56	2400	2500	1690
452471	RE.F1-200-FBL-N	200	102	20	50	236	56	3000	3000	2130

RE.F1-FBF-N

Code	Description	D	d <sub>1</sub>	d <sub>2</sub>	l <sub>3</sub>	H	b <sub>3</sub>	R	Rolling resistance# [N]	Dynamic carrying capacity# [N]	⚖️
452496	RE.F1-080-FBF-N	80	73	12	30	107	37	120	750	750	730
452497	RE.F1-100-FBF-N	100	73	12	30	128	35	120	1200	1200	750
452498	RE.F1-125-FBF-N	125	73	12	35	156	37	120	1800	1800	1030
452499	RE.F1-150-FBF-N	150	102	20	45	188	56	156	2400	2500	1980
452472	RE.F1-200-FBF-N	200	102	20	50	236	56	156	3000	3000	2410

# For rolling resistance and dynamic carrying capacity see Technical data

