

## Injected polyurethane wheels

**Technopolymer centre body, with or without bearings, injected polyurethane coating**

### COVERING

Injected polyurethane, hardness 55 Shore D.

### WHEEL CENTRE BODY

Polyamide based (PA) technopolymer.  
Glass-fibre reinforced polyamide based (PA) technopolymer hub cap.

### STANDARD EXECUTIONS

- **RBL**: hub with pass-through hole.
- **RSL**: hub with ball bearings. Ideal and silent solution for heavy loads and continuous moving.

### APPLICATIONS

Excellent rolling resistance and elasticity features, good wear and tearing resistance.

For selection parameters see Technical data.

RE.FF wheels are also supplied with steel sheet brackets RE.FF-N

### ENVIRONMENTAL CONDITIONS

Suitable for use in environments with the presence of atmospheric agents, alcohols and glycols, weak organic and mineral acids, water and saturated vapour.

### ROLLING RESISTANCE - FORCE / LOAD APPLIED

The diagram shows the force to be applied to a wheel to keep it moving at the constant speed of 4 km/h, according to the applied load.

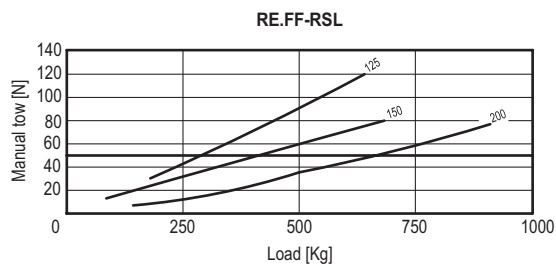
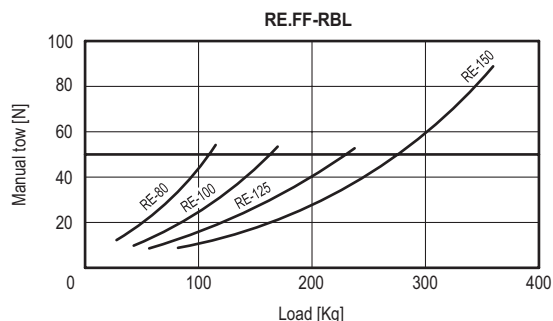
The intersection point with a 50N value is the maximum transportable load with a manually actuated 4-wheel trolley; in fact, 200N = 50N x 4 wheels is the maximum force that may be supported by the operator according to the regulations in force regarding work safety.

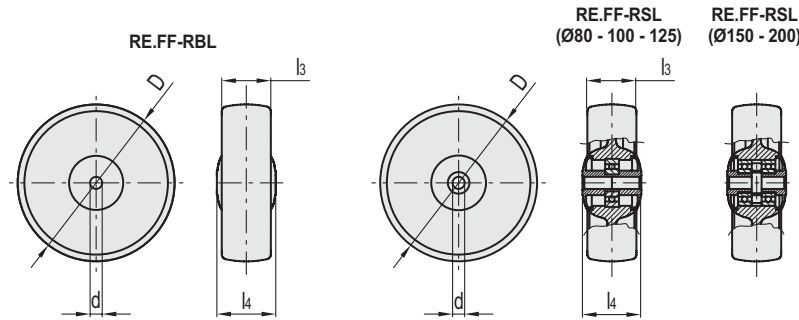
### MECHANICAL MOVING WITH TOWING DEVICES

For mechanical towing, please see the technical specifications to determine the capacity variation.

### TEMPERATURE

If operating temperatures in an application differ from the standard range of values, please see the technical specifications to determine the capacity variation.





RE.FF-RBL

Code	Description	D	d	l <sub>3</sub>	l <sub>4</sub>	Static load# [N]	Rolling resistance# [N]	Dynamic carrying capacity# [N]	⚖️
451001	RE.FF-080-RBL	80	12	30	39	2200	1200	1200	110
451006	RE.FF-100-RBL	100	12	30	44	3000	1700	1700	150
451011	RE.FF-125-RBL	125	15	35	44	3500	2300	2300	250
451016	RE.FF-150-RBL	150	20	45	59	5000	2800	3500	470
451018	RE.FF-200-RBL	200	20	50	59	7500	3200	3500	870

RE.FF-RSL

Code	Description	D	d	l <sub>3</sub>	l <sub>4</sub>	Static load# [N]	Rolling resistance# [N]	Dynamic carrying capacity# [N]	⚖️
451021	RE.FF-080-RSL	80	8	30	40	2200	1300	1300	170
451023	RE.FF-100-RSL	100	8	30	45	3000	2000	2000	210
451025	RE.FF-125-RSL	125	8	35	45	3500	2500	2500	300
451027	RE.FF-150-RSL	150	12	45	60	7000	3000	3500	760
451029	RE.FF-200-RSL	200	12	50	60	7500	3600	4500	1160

# For static load, rolling resistance and dynamic carrying capacity see Technical data

