

Brakes for ELEROLL roller tracks

Technopolymer

MATERIAL

Polyamide based (PA) technopolymer, black colour.

STANDARD EXECUTIONS

- **RLT-BR**: brake for RLT-U roller elements.
- **RLT-BRS**: brake for RLT-U roller elements with stop device.

FEATURES AND APPLICATIONS

RLT-B brakes allow to slow down and/or stop packages handled on ELEROLL roller tracks.

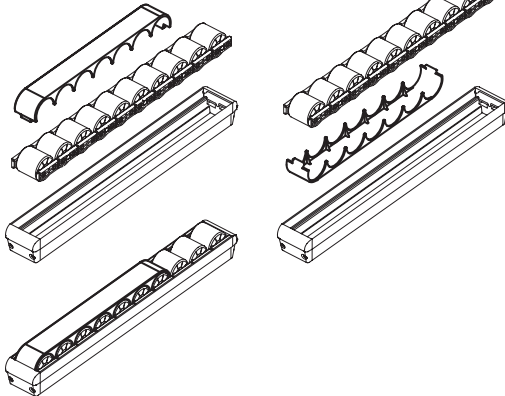
The brakes are snap-in assembled on RLT-U roller elements without the need for screws or other fasteners.

RLT-BR brake can be assembled on the upper side of RLT-U-PA and RLT-U-TPU roller elements (Fig. 1) or on the lower side of the RLT-U-TPU roller elements (Fig. 2).



Fig.1

Fig.2

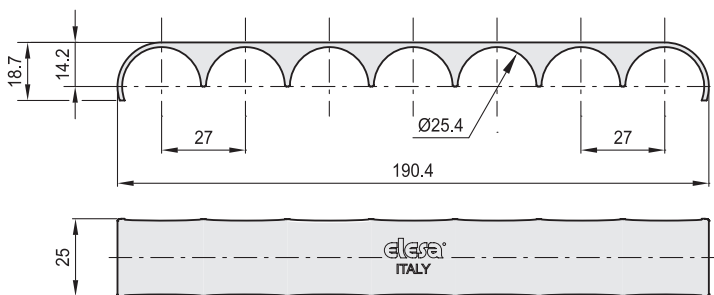


FM design

ele:roll®

RLT-BR

RLT-BRS



RLT-BR

Code	Description	⚖️
429836	RLT-BR	12

RLT-BRS

Code	Description	⚖️
429831	RLT-BRS	14

