

Closing caps

for MSR., technopolymer

MATERIAL

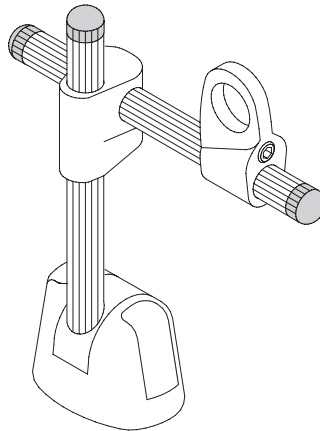
Glass-fibre reinforced polyamide based (PA) technopolymer, matte finish.

ASSEMBLY

Press-fit assembly.



FMdesign



Code	Description	Closing caps for	
440016	TC13-MSR.60	MSR.60-T13	1