

Oil fill plugs for push-fit, technopolymer

MATERIAL

High-resilience polypropylene based (PP) technopolymer, black colour, matte finish.

PACKING RINGS

Two NBR synthetic rubber O-rings.

STANDARD EXECUTIONS

- **TPC**: without side hole.
- **TPCF**: with side breather hole.

MAXIMUM CONTINUOUS WORKING TEMPERATURE

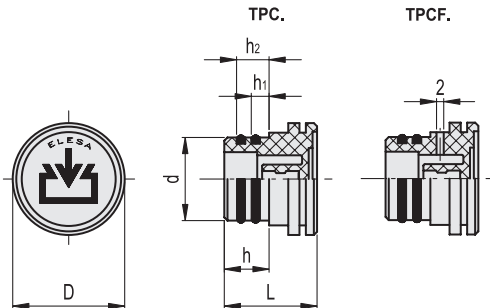
100°C.

GRAPHIC SYMBOL "FILL"

According to DIN regulations.



ELESA Original design



TPC.

Code	Description	d+0.2	h	D	L	h1	h2	⚖
59861	TPC.20	20	14	30	29	6.5	10.5	8
59881	TPC.26	26	14	35	29.5	6.5	10.5	15

TPCF.

Code	Description	d+0.2	h	D	L	h1	h2	⚖
59901	TPCF.20	20	14	30	29	6.5	10.5	8
59921	TPCF.26	26	14	35	29.5	6.5	10.5	15

