

Flat vacuum cups with shank

Diameter 17mm, with or without support, rubber

MATERIAL

Vacuum cup in oil-proof rubber (NBR), natural (NR), or silicone (VMQ).

Nickel-plated brass support.

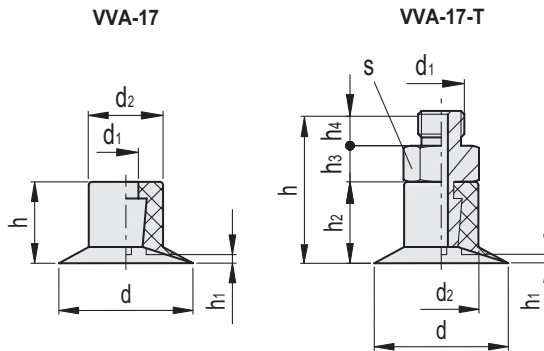
STANDARD EXECUTIONS

- **VVA-17-A**: oil-proof rubber, without support.
- **VVA-17-N**: natural rubber, without support.
- **VVA-17-S**: silicone rubber, without support.
- **VVA-17-T-A**: oil-proof rubber, with support.
- **VVA-17-T-N**: natural rubber, with support.
- **VVA-17-T-S**: silicone rubber, with support.

APPLICATIONS

They are widely used in the paper converting sector, in particular for the handling of paper sheets and labels.

See Technical Data for vacuum cups (on page -).



VVA-17-A

Code	Description	d	d1	d2	h	h1	F* [Kg]	Volume # [mm3]	
VV.45003	VVA-17-A	17	3.8	9	11	1	0.6	213	1

VVA-17-N

Code	Description	d	d1	d2	h	h1	F* [Kg]	Volume # [mm3]	
VV.45004	VVA-17-N	17	3.8	9	11	1	0.6	213	1

VVA-17-S

Code	Description	d	d1	d2	h	h1	F* [Kg]	Volume # [mm3]	
VV.45005	VVA-17-S	17	3.8	9	11	1	0.6	213	1

VVA-17-T-A

Code	Description	d	d1	d2	h	h1	h2	h3	h4	s	F* [Kg]	Volume # [mm3]	
VV.45006	VVA-17-M5-T-A	17	M5	9	19.5	1	11	4.5	4	8	0.6	213	4

VVA-17-T-N

Code	Description	d	d1	d2	h	h1	h2	h3	h4	s	F* [Kg]	Volume # [mm3]	
VV.45007	VVA-17-M5-T-N	17	M5	9	19.5	1	11	4.5	4	8	0.6	213	4

VVA-17-T-S

Code	Description	d	d1	d2	h	h1	h2	h3	h4	s	F* [Kg]	Volume # [mm3]	
VV.45008	VVA-17-M5-T-S	17	M5	9	19.5	1	11	4.5	4	8	0.6	213	4

* The force of the vacuum cups indicated in the table represents 1/3 of the value of the theoretical force calculated at a vacuum level of -75 KPa and a safety coefficient of 3.

Indicates the internal geometric volume of the vacuum cup and represents the volume to be added to the entire distribution circuit for the calculation of the evacuation time, especially if multiple vacuum cups are used.